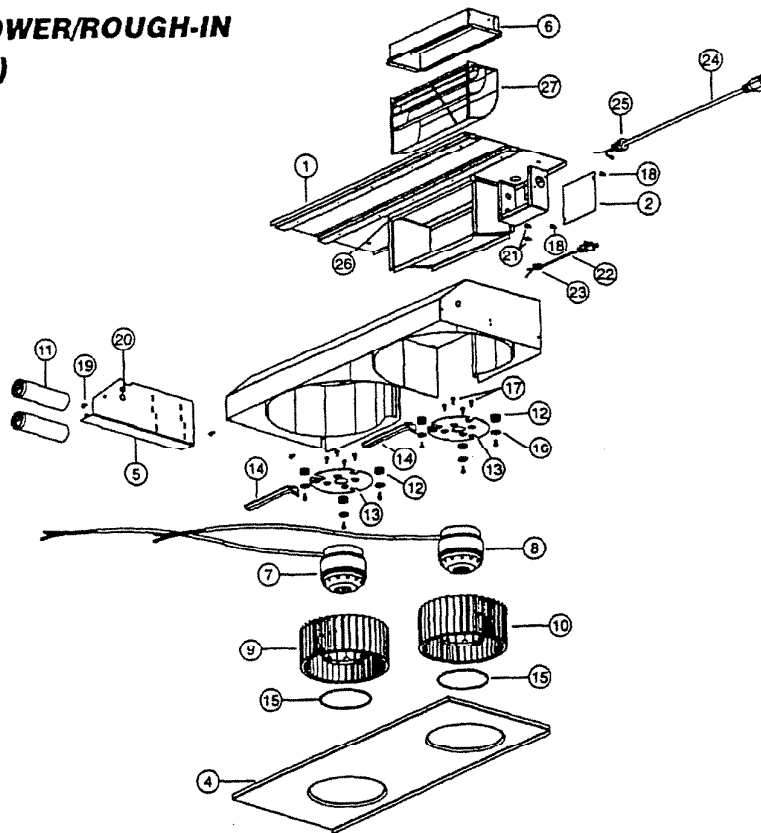


## SERVICE PARTS

### DUAL BLOWER/ROUGH-IN (Model P8)



KEY #	PART NUMBER	DESCRIPTION	QTY
1	V12997	ROUGH-IN PLATE	1
2	V13290	ELECTRIC BOX COVER	1
3	V13234	BLOWER CHASSIS	1
4	V13236	BLOWER COVER	1
5	V13240	CAPACITOR COVER	1
6	V13296	ADAPTER & DAMPER	1
7	V01766	MOTOR 165W CW	1
8	V03457	MOTOR 165W CCW	1
9	V03400	BLOWER IMPELLER, HOOD 7.094" X 3.375"CW	1
10	V03399	BLOWER IMPELLER, HOOD 7.094" X 3.375"CCW	1
11	V02160	CAPACITOR 16 MFD	2
12	V02001	MOTOR GROMMET G-431-1	6
13	V11705	MOTOR MOUNT	2
14	V01857	WIRE COVER	2
15	V01810	IMPELLER RING	2
16	V00871	WASHER 3/16"DI X 3/4"DE	6
	V01831	8" TIE RAP	4
17	V01927	METRIC SCREW M4 X 6MM PAN QDRX	8
	V11614	WIRE #18 TEW BROWN X 10"	2
18	V00606	SCREW #8 X 3/8", T/B, #8 HEAD	4
19	V01869	MACHINE SCREW # 6-32 X 1/4"	7
20	V01582	LOCK NUT #6-32	1
21	V00613	SCREW #10-32 X 36", T/F, GREEN	2
22	V03494	36" BLOWER POWER CORD	1
23	V03495	STRAIN RELIEF FOR BLOWER POWER CORD	1
24	V03496	POWER CORD, 120 VOLTS	1
25	V00660	STRAIN RELIEF FOR POWER CORD	1
26	V03577	FOAM 1/2" X 1/2" X 10"	1
27	V03500	AIR DEFLECTOR	1