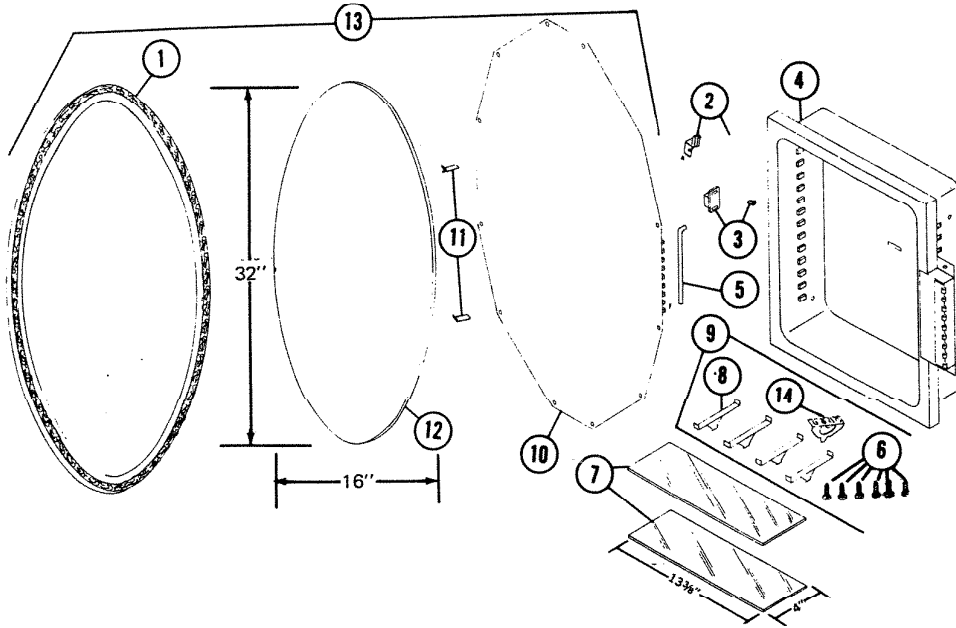


# PARTS LIST

<b>MODEL</b>	O21 - O22 OA20 - OA21 - OA22 BATH CABINET
<b>EFFECTIVE DATE</b>	NEW - REVISED JANUARY, 1975



REF	ORIGINAL PART NO	* PART DESCRIPTION	MODEL USED ON	CURRENT REPLACEMENT PART NO.
1	90137-000	FRAME GOLD PEWTER NEW - ANT. SILVER	O21	92584-000
	92588-000		OA21	92588-000
	90138-000		O22	92585-000
	92589-000		OA22	92589-000
	92589-302		OA20	92589-302
2	92150-000	CATCH STRIKE PLATE (EARLY PERIOD)	O21 O22	92150-000
	90067-000	CATCH SPRING (CURRENT)	OA20-O21-O22 OA21 - OA22	90067-000
3	90011-000	CATCH MAGNET (EARLY PERIOD)	O21 O22	90011-000
	90555-000	CATCH BULLET (CURRENT)	OA20-O21-O22 OA21 - OA22	90555-000
4	90129-000	BODY AND HINGE ASSEMBLY	OA20-O21-O22	92139-206
	92139-206		OA21 - OA22	
5	90010-000	HINGE PIN	OA20-O21-O22 OA21 - OA22	90010-000
6	90040-000	MOUNTING SCREWS (SET OF 6)	OA20-O21-O22 OA21 - OA22	69781-000
7	90043-000	SHELF ONE SET OF 2	OA20-O21-O22	90043-000
	90042-000		OA21 - OA22	90042-000
8	90039-000	SUPPORT - SHELF (ONE) 4 REQUIRED	OA20-O21-O22 OA21 - OA22	90039-000
9	90141-000	HARDWARE SET (REF. NO's 6, 8 & 14)	OA20-O21-O22 OA21 - OA22	90141-000
		PLEASE SEE OTHER SIDE		

**NuTone Division**

Order Parts From:  
Parts Department c/o NuTone  
P.O. Box 27 • Cincinnati, Ohio 45227

NOTE: Always order by current part number

REF.	ORIGINAL PART NO	* PART DESCRIPTION	MODEL USED ON	CURRENT REPLACEMENT PART NO.	
10	92140-000	DOOR BACK & HINGE ASSEMBLY	021 022	<b>92140-206</b>	
	92586-000		0A20-021-022 0A21 - 0A22	<b>92586-206</b>	
11	90140-000	CLIP (1) 4 REQUIRED EARLY PROD.	021 022	<b>90140-000</b>	
	90027-000	CURRENT	0A20-021-022 0A21 - 0A22	<b>69783-000</b>	
12	90139-000	MIRROR - PLATE 16" x 32"	021 022	<b>90139-000</b>	
	92591-000		0A21 0A20 - 0A22	<b>92591-000</b>	
13	90134-000	DOOR ASSEMBLY	GOLD	021	<b>92584-000</b>
	92584-000			0A21	
	90135-000		PEWTER	022	<b>92585-000</b>
	92585-000			0A22	
	93843-000			0A20	
14	92264-000	TOOTHBRUSH HOLDER	0A20-021-022 0A21 - 0A22	<b>92264-000</b>	