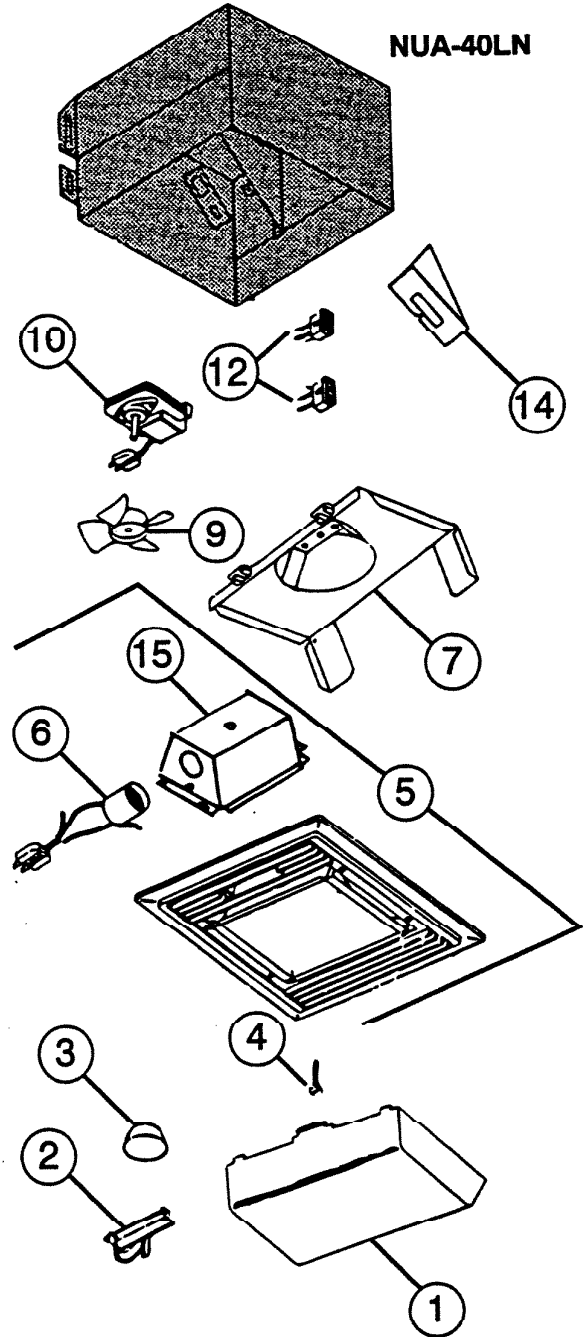
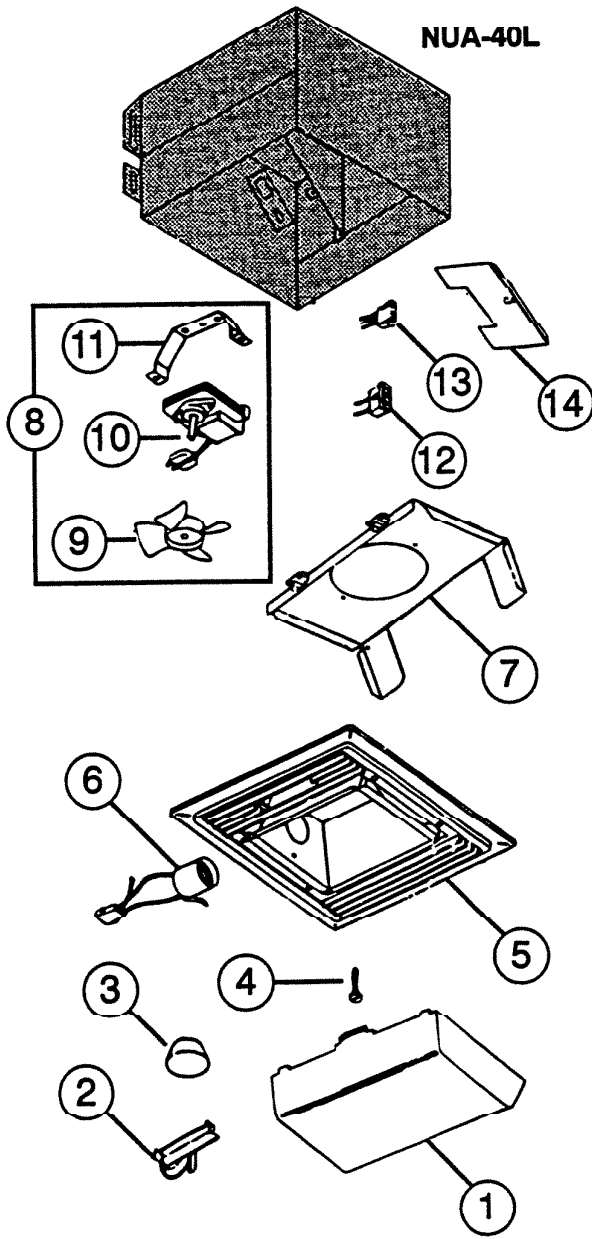


# PARTS LIST

EFFECTIVE DATE	MODEL NUMBER	PRODUCT GROUP
OCTOBER 1994	NUA-40L, NUA-40LN REVISED	FAN



**NOT A PARTS DEPT.  
STOCK ITEM**

# NuTone

NuTone  
Attn: Parts Department  
Madison & Red Bank Rds.  
Cincinnati, OH 45227-1599  
Phone: (513) 527-5426  
Fax: (513) 527-5173

REF.	ORIGINAL PART NO.	*PART DESCRIPTION	MODEL USED ON	CURRENT REPLACEMENT PART NO.
1	65776	LENS	All Models	65776-000
2	68049	GRILLE INSERT	All Models	68049-000
3	68050	ODOR COUNTERACTANT – 1 Pack Contains 3 Cones	All Models	68050-000
4	52862	SCREW – #4 - 10 x 1¼ Ph. Pan "A"	All Models	52862-015
5	68055	GRILLE ASSEMBLY	NUA-40L	0460A-000
	33381		NUA-40LN	Void - not avail.
6	66019	LAMP SOCKET WITH PLUG ASSEMBLY	NUA-40L	66019-000
	33600		NUA-40LN	33600-000
7	68036	MOTOR MOUNTING BARRIER	NUA-40L	Void - not avail.
	33376		NUA-40LN	33376-000
8	68027	MOTOR/BLADE/BRACKET	NUA-40L	68027-000
9	68030	FAN BLADE	All Models	65934-000
10	68029	MOTOR	All Models	68029-000
11	68028	MOTOR BRACKET	NUA-40L	33383-000
12	10034	RECEPTACLE – 1	All Models	10034-000
13	66016	PLUG HOUSING ASSEMBLY	NUA-40L	66016-000
14	68053	OUTLET BOX COVER	NUA-40L	Void - not avail.
	33373		NUA-40LN	33373-000
15	67755	REFLECTOR ONLY	NUA-40LN	33359-000

↑

**NOTE: Always order by current part number**