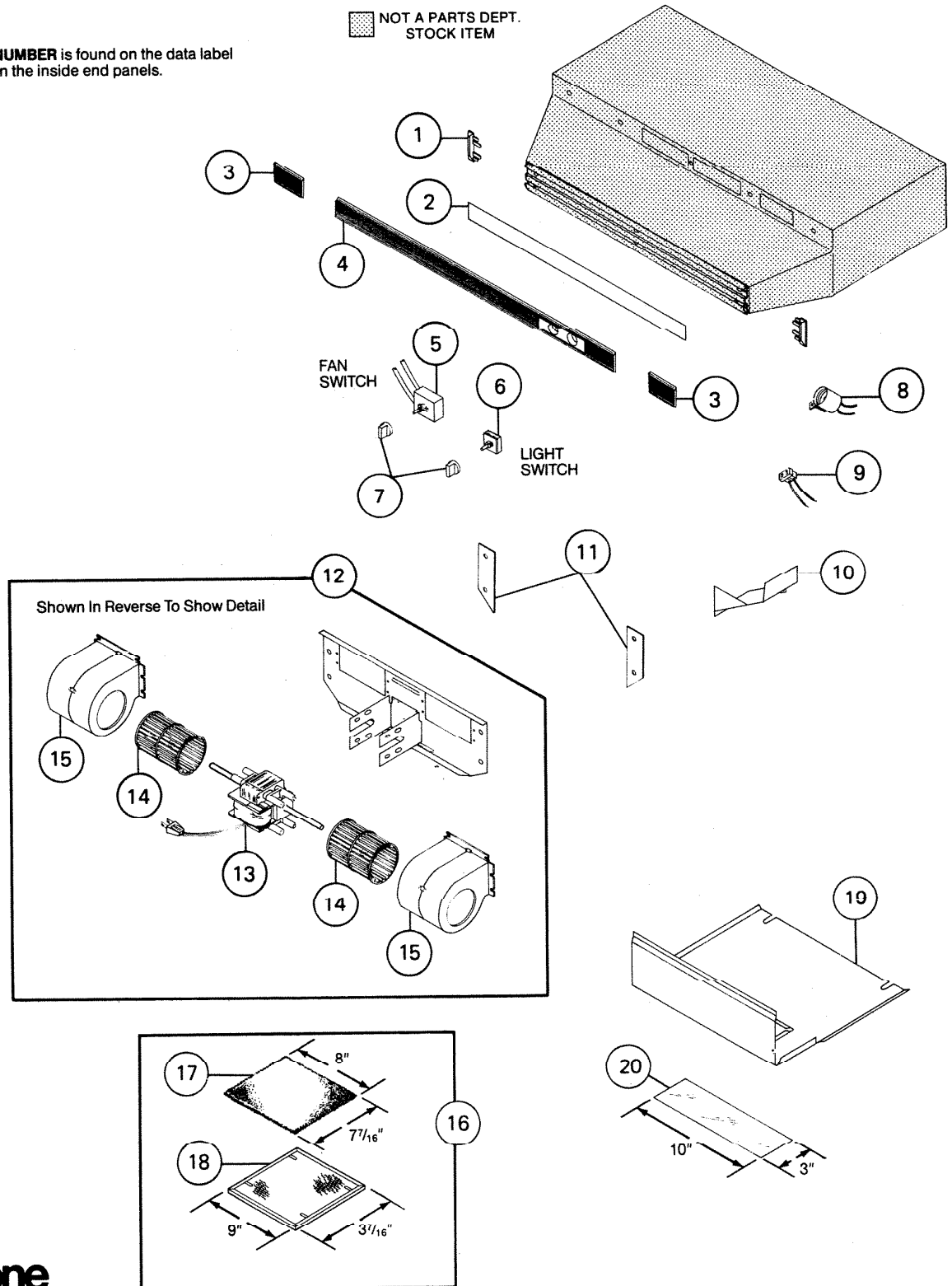


# PARTS LIST

EFFECTIVE DATE	MODEL	PRODUCT GROUP
APRIL 1991	<b>NN-8200</b> <b>NN-8200N</b> AL, CF, HW, SS, WH 30", 36" NEW	HOOD

MODEL NUMBER is found on the data label located on the inside end panels.

NOT A PARTS DEPT. STOCK ITEM



REF.	ORIGINAL PART NO.	*PART DESCRIPTION		MODEL USED ON	CURRENT REPLACEMENT PART NO.
1	K3508	END TRIM (1)—2 Required		NN-8200N	K3508-000
2	K1353	INSERT PANEL—DECOR—Black	30" Hoods	NN-8200	K1353-000
	K3510			NN-8200N	K3510-000
	K1354		36" Hoods	NN-8200	K1354-000
	K3511			NN-8200N	K3511-000
3	K3563	GRILLE EXTENSION—w/Palnuts—(1) 2 Req.		NN-8200N	K9036-000
4	K3509	GRILLE w/Palnuts		NN-8200N	K9034-000
5	K0316	FAN SWITCH—Speed Control		NN-8200	K3381-000
	K3381			NN-8200N	
6	K0318	LIGHT SWITCH		NN-8200	K0318-000
	K3522			NN-8200N	K3522-000
7	K1103	KNOB—Black	(1)—2 Req.	NN-8200	K1103-000
	K3523		Set of Two	NN-8200N	K9025-000
8	K1307	LAMP SOCKET		All Models	K1307-000
9	K0147	RECEPTACLE		NN-8200	K0147-000
	K3160			NN-8200N	K3160-000
10	K1311	COVER—Switch			K1311-000
11	K1317	INSULATION PAD (1)—2 Required			K1317-000
12	K1434	POWER UNIT			K1434-000
13	K1462	MOTOR		All Models	K1462-000
14	K1304	BLOWER WHEEL—Left or Right			K1304-000
15	K1303	BLOWER HOUSING—Left or Right			K1303-000
16	K3470	FILTER ASSEMBLY—Aluminum and Charcoal—2 Req.			K3470-000
17	K1506	CHARCOAL FILTER—Set of Two			K3458-000
18	K1442	ALUMINUM FILTER (1)—2 Required			K1442-000

↑

**NOTE: Always order by current part number.**

REF.	ORIGINAL PART NO.	*PART DESCRIPTION	MODEL USED ON	CURRENT REPLACEMENT PART NO.	
19	K1309	COVER	Almond	All AL	K1309-K21
			Coffee	All CF	K1309-K23
			Harvest Wheat	All HW	K1309-K26
			Stainless Steel	All SS	K1309-K28
			White	All WH	K1309-K30
20	K1310	LENS—Light	All Models	K1310-000	

↑  
NOTE: Always order by current part number.

WIRING DIA. FOR MODEL NN-8200N

