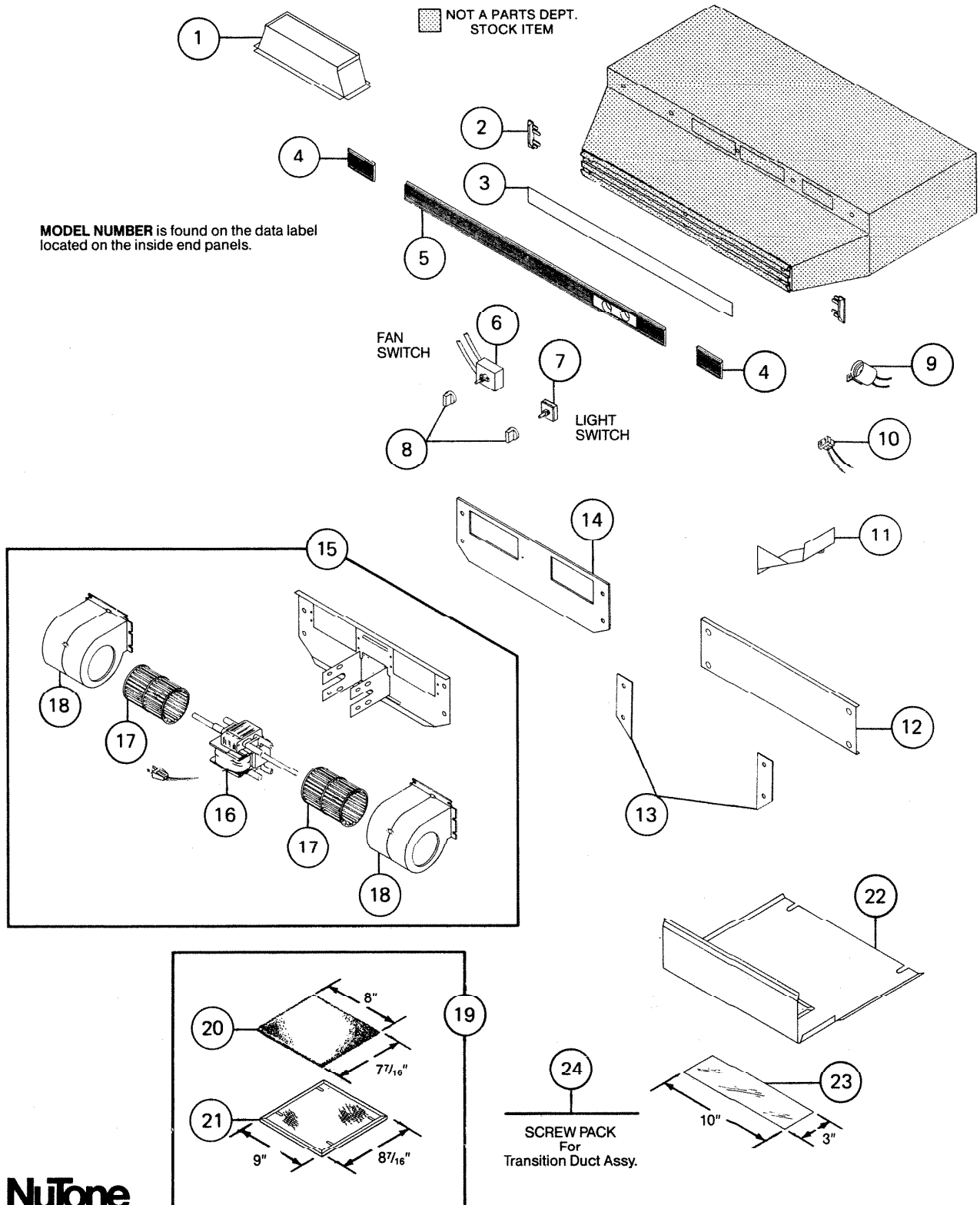


PARTS LIST

EFFECTIVE DATE	MODEL	PRODUCT GROUP
JAN. 1991	NN8100, NN8100N AL, CF, HW, SS, WH NN8100F AL, BL, CF, HW, SS, WH, WW 30", 36" NEW	HOOD

MODEL NUMBER is found on the data label located on the inside end panels.

NOT A PARTS DEPT. STOCK ITEM



NuTone

REF.	ORIGINAL PART NO.	*PART DESCRIPTION			MODEL USED ON	CURRENT REPLACEMENT PART NO.
1	K1459	TRANSITION DUCT ASSEMBLY—w/Damper			All Models	K1459-000
2	K3508	END TRIM (1)—2 Required			NN-8100N NN-8100F	K3508-000
3	K1353	INSERT PANEL—DECOR	30" Hoods	Black	NN-8100	K1353-000
	K3510				NN-8100N NN-8100F	K3510-000
	K4732			White	NN-8100F	K4732-000
	K1354		36" Hoods	Black	NN-8100	K1354-000
	K3511				NN-8100N NN-8100F	K3511-000
	K4733			White	NN-8100F	K4733-000
4	K3563	GRILLE EXTENSION—w/Palnuts (1) 2 Req. Not Used on 30" Models		Black	NN-8100N	K9036-000
	K4853				NN-8100F	
	K4855			White	NN-8100F	K9037-000
5	K3509	GRILLE w/Palnuts		Black	NN-8100N	K9034-000
	K4857				NN-8100F	
	K4858			White	NN-8100F	K9035-000
6	K0316	FAN SWITCH—Speed Control			NN-8100	K3381-000
	K3381				NN-8100N NN-8100F	
7	K0318	LIGHT SWITCH			NN-8100	K0318-000
	K3522				NN-8100N NN-8100F	K3522-000
8	K1103	KNOB	(1)—Two Req.	Black	NN-8100	K1103-000
	K3523		Set of Two	Black	NN-8100N NN-8100F	K9025-000
	K4724			White	NN-8100F	K9040-000
9	K1307	LAMP SOCKET			All Models	K1307-000
10	K0147	RECEPTACLE			NN-8100	K0147-000
	K3160				NN-8100N NN-8100F	K3160-000
11	K1311	COVER—Switch			All Models	K1311-000
12	K4429	BAFFLE PLATE <i>to connect to duct</i>			NN-8100F	K4429-000
13	K1317	INSULATION PAD—(1)—2 Required			NN-8100F	K1317-000

↑

NOTE: Always order by current part number.

REF.	ORIGINAL PART NO.	*PART DESCRIPTION	MODEL USED ON	CURRENT REPLACEMENT PART NO.	
14	K1305	INSULATION PAD <i>to connect to duct</i>		K1305-000	
15	K1443	POWER UNIT		K1443-000	
16	K1302	MOTOR	All Models	K1302-000	
17	K1304	BLOWER WHEEL—Left or Right		K1304-000	
18	K1303	BLOWER HOUSING—Left or Right		K1303-000	
19	K3470	FILTER ASSEMBLY—Aluminum and Charcoal—2 Req.	··· NN-8100F ···	K3470-000	
20	K1506	CHARCOAL FILTER—Set of Two		K3458-000	
21	K1312	ALUMINUM FILTER (1)—2 Required	NN-8100 NN-8100N	K1312-000	
	K1442		NN-8100F	K1442-000	
22	K1309	COVER	Almond	All AL	K1309-K21
			Black	All BL	K1309-K22
			Coffee	All CF	K1309-K23
			Harvest Wheat	All HW	K1309-K26
			Stainless Steel	All SS	K1309-K28
			White	All WH, WW	K1309-K30
23	K1310	LENS—Light	All Models	K1310-000	
24	K1480	SCREW PACK—(2) #8 x 3/16 Slt. Hex Wash/HD. "A"		K1480-000	

↑
NOTE: Always order by current part number.

WIRING DIA. FOR MODELS NN-8100N, NN-8100F

