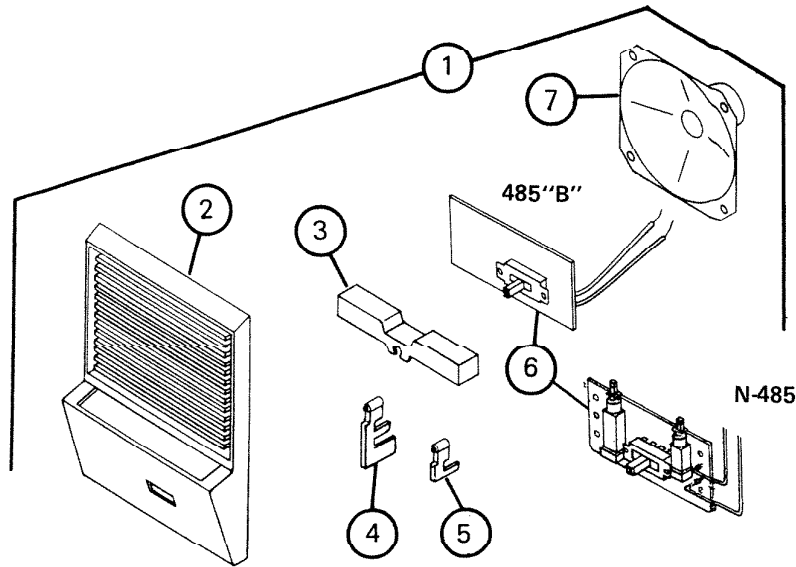



PARTS LIST

EFFECTIVE DATE	MODEL	PRODUCT GROUP
SEPT. 1987	N 485 — New 485 "B" — Revised	Electronics



REF.	ORIGINAL PART NO.	PART DESCRIPTION	MODEL USED ON	CURRENT REPLACEMENT PART NO.
1	43203	SPEAKER PANEL (COMPLETE) — N-485	485 "B", N-485	43203-000
2	38690	PANEL — SPEAKER <i>White 44405</i>	485 "B"	38690-000
	35564		N-485	35564-000
3	38691	ROCKER	485 "B"	38691-000
	35452		N-485	35452-000
4	38692	SLIDING LINK — LONG	485 "B"	38692-000
5	38693	SLIDING LINK — SHORT	485 "B"	38693-000
6	41760	P.C. BOARD ASSEMBLY <i>White 44406</i>	485 "B"	Void—Not Available—use reference No. 1
	43067		N-485	43067-000
7	36076	SPEAKER — 3-1/2" (16 OHM)	485 "B", N-485	36076-000
				 NOTE: Always order by current part number.