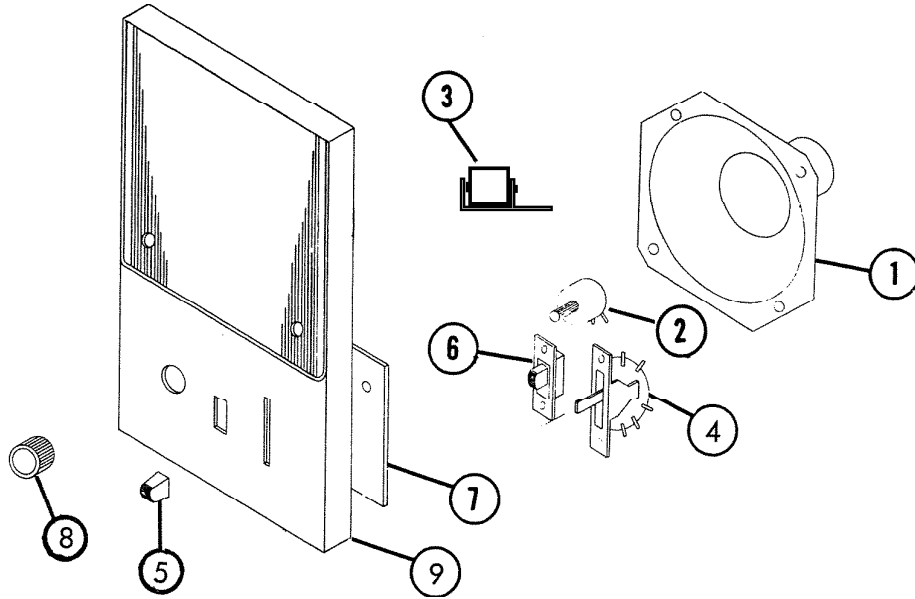


NuTone

PARTS LIST

MODEL
N482BXWH
Electronic



REF.	PART NO.	*Part used on other model/s	PART DESCRIPTION
1	36076		Speaker 3-1/2" 16 Ohm
2	34034		Potentiometer
3	36059		Buzzer
4	34528		Lever Switch
5	31651		Lever Knob
6	44397		Slide Switch
7	41239		Assembly W/Switches
8	39294		Volume Knob
9	44395		Front Cover

NuTone