

EFFECTIVE DATE

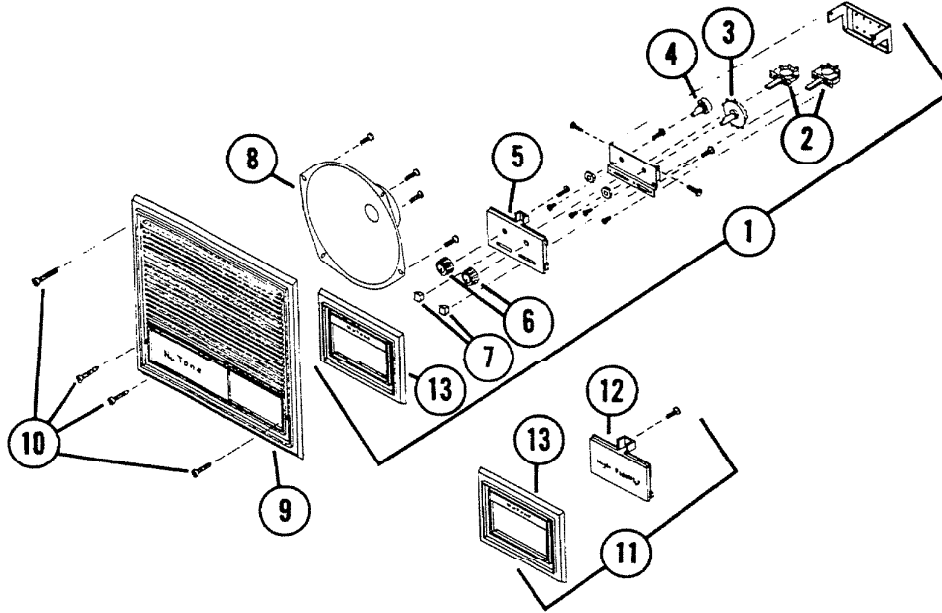
July 1, 1969

NuTone

MODEL

N-2572

PARTS LIST



REF.	PART NO.		PART DESCRIPTION
1	69907		Bezel & Control Assembly. Ref. No's 2, 3, 4, 5, & 13
2	34529	*	Switch - Lever
3	34531	*	Switch - Rotary 3 position
4	34024	*	Potentiometer
5	32473		Control Insert
6	31912	*	Knob Switch (2 required)
7	31603	*	Knob Lever (2 required)
8	36042		Speaker 45 Ohm 8"
9	32462		Remote Panel
10	40258		Envelope Assembly
11	40303		Bezel Assembly
12	32465		Blank Insert
13	32464		Bezel
14	8461	*	"A" Frame - Not Shown

PRICES SUBJECT TO CHANGE WITHOUT NOTICE

Order Parts From: PARTS DEPT. C/O

NuTone

SCOVILL

DIVISION

Madison and Red Bank Rds., Cincinnati, O. 45227

*Part used on other model/s

Printed in the U.S.A.