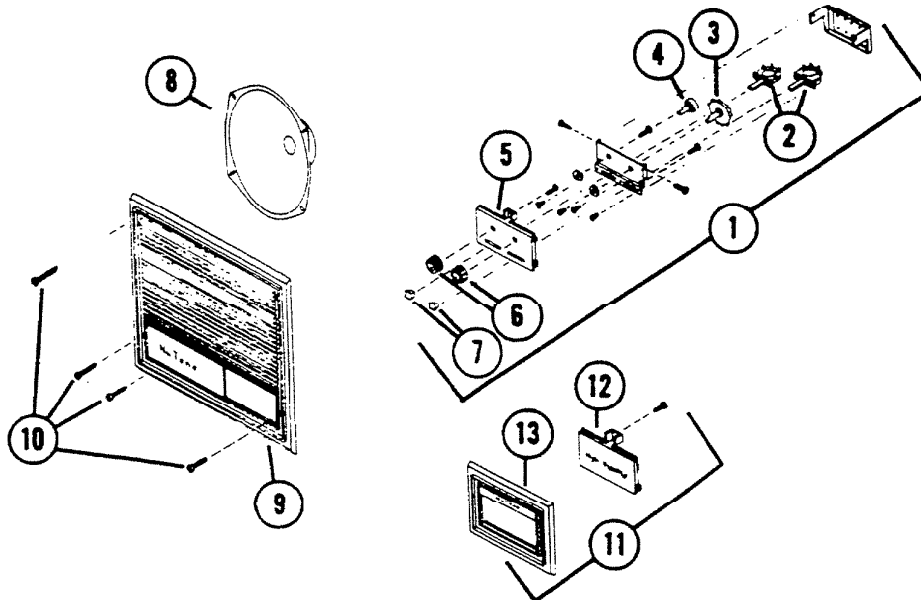


EFFECTIVE DATE

Dec. 1, 1970

NuTone PARTS LIST

MODEL
N-2572 BW
ELECTRONICS



REF.	PART NO.	*Part used on other model/s	PART DESCRIPTION
1	69915		Control Assembly Ref. Nos. 2, 3, 4, 5 & 13
2	34529	*	Switch - Lever
3	34531	*	Switch - Rotary 3 position
4	34024	*	Potentiometer
5	38089		Control Insert
6	39026	*	Knob Switch (2 required)
7	31603	*	Knob Lever (2 required)
8	36042		Speaker 45 Ohm 8"
9	38088		Remote Panel
10	41071		Envelope Assembly
11	40946		Bezel Assembly
12	38091		Blank Insert
13	38090		Bezel
*	8461	*	"A" Frame - Not shown

Order Parts From: PARTS DEPT. C/O

NuTone 