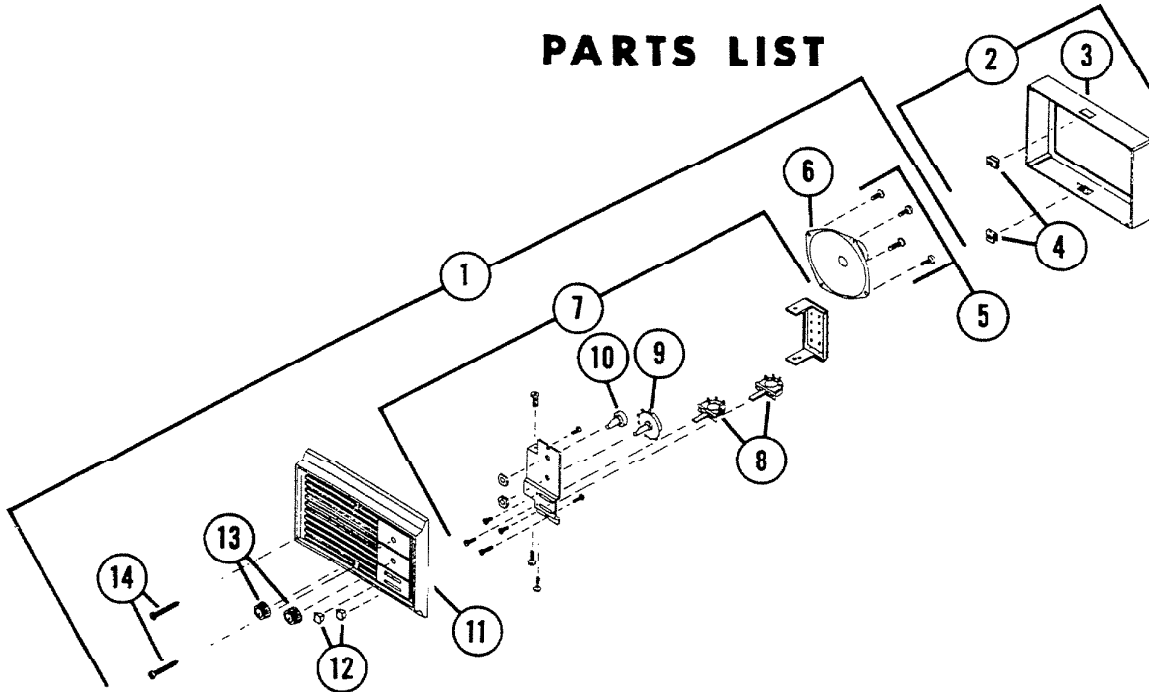


EFFECTIVE DATE  
June 1, 1969

**NuTone**

MODEL  
N-2570  
Radio Intercom

**PARTS LIST**



REF.	PART NO.		PART DESCRIPTION
1	40232		Panel Assembly
2	40219		"A" Box Assembly
3	32172		"A" Box only.
4	7504		Speed Nut
5	31455		Speaker Mounting Screws
6	36016		Speaker
7	40235		Control Assembly (Completely Wired)
8	34528	*	Switch Lever (2 required)
9	34531	*	Switch Rotary - 3 position
10	34024	*	Potentiometer
11	32472		Panel
12	31603	*	Knob - Lever type
13	31912	*	Knob
14	40238		Envelope Assembly Mounting Screws

PRICES SUBJECT TO CHANGE WITHOUT NOTICE

Order Parts From: PARTS DEPT. C/O

**NuTone** **SCOVILL**

DIVISION

Madison and Red Bank Rds., Cincinnati, O. 45227

\*Part used on other model/s

Printed in the U.S.A.