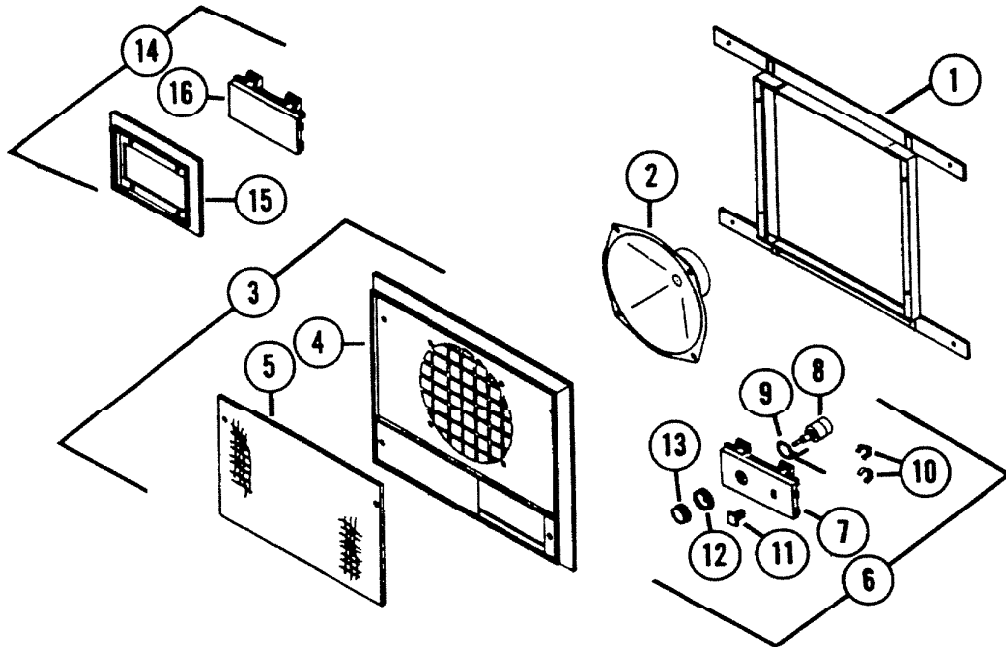


EFFECTIVE DATE
July 15, 1970

NuTone PARTS LIST

MODEL
N2081BW-N2082BW
ELECTRONICS



REF.	PART NO.	*Part used on other model/s	PART DESCRIPTION
1	8461		"A" Frame
2	36018		Speaker 3.2 Ohm
3	69912		Panel Assembly w/Grille Panel
4	38084		Panel
5	41028		Grille Panel Complete
6	40950		Control Insert Assembly
7	38093		Insert
8	34026		Potentiometer, Dual
9	32550		Contact Wire
10	31405		Contact (2 required)
11	31907		Pushbutton
12	39028		Knob - Large
13	39029		Knob - Small

PLEASE SEE OTHER SIDE

Order Parts From: PARTS DEPT. C/O

NuTone **SCOVILL**

DIVISION

1000 East Park Rd., Greenville, S.C. 29615

REF.	PART NO.		PART DESCRIPTION
14	40943		Bezel Assembly
15	38086		Bezel only
16	38087		Blank Insert
--	40372		Envelope Assembly, Mounting screws
			MODEL N2082BW SAME AS N2081BW EXCEPT NO CONTROLS AND THE FOLLOWING:
--	40375		Envelope Assembly, Mounting screws

Order Parts From: PARTS DEPT. C/O

NuTone 

DIVISION

Madison and Red Bank Rds., Cincinnati, O. 45227