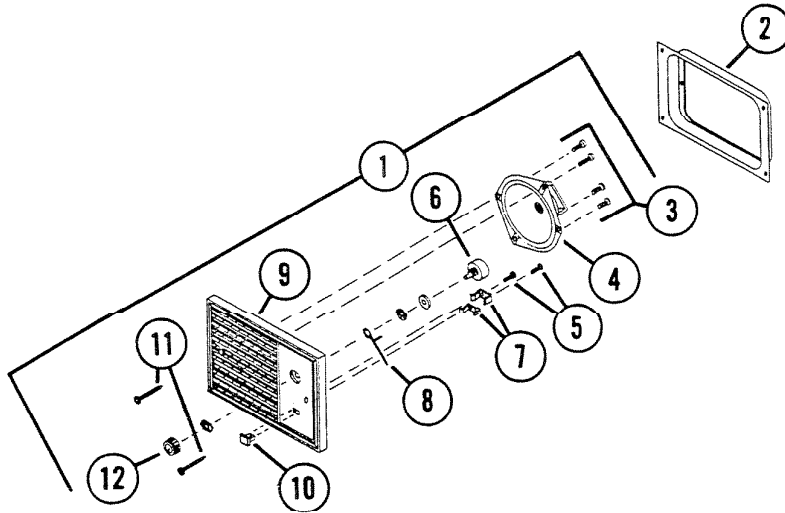


EFFECTIVE DATE
June 1, 1969

NuTone

MODEL
N-2027
Radio-Intercom

PARTS LIST



REF.	PART NO.	PART DESCRIPTION
1	40102	Speaker Complete
2	32035 005 *	Remote "A" Box
3	31402	Speaker Mounting Screws (4 required)
4	36032	Speaker (3.2 ohms)
5	31406	Contact Mounting Screws
6	34020	Potentiometer
7	31405	Contact
8	32550	Contact Wire
9	32054	Panel
10	31907	Pushbutton
11	40084	Mounting Screws (Envelope Assembly)
12	31909	Knob

PRICES SUBJECT TO CHANGE WITHOUT NOTICE

Order Parts From: PARTS DEPT. C/O

NuTone **SCOVILL**

DIVISION
Madison and Red Bank Rds., Cincinnati, O. 45227

*Part used on other model/s

Printed in the U.S.A.