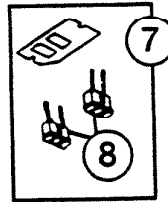
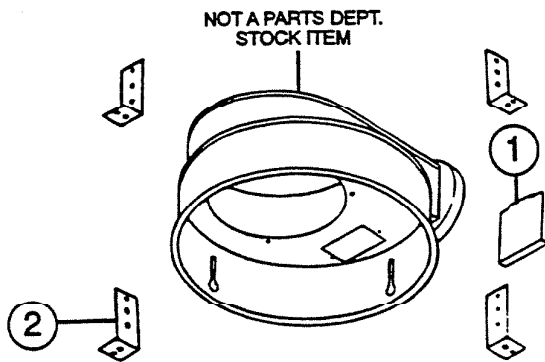
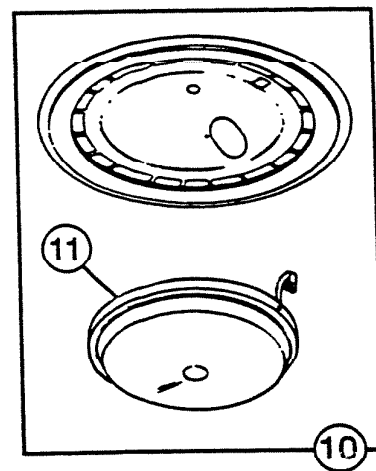
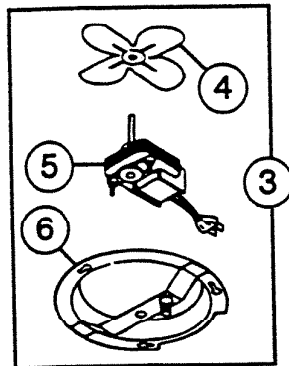


# PARTS LIST

EFFECTIVE DATE	MODEL NUMBER	PRODUCT GROUP
OCTOBER 1994	MH-67 REVISED	EXHAUST FAN



Wing Nut To Attach Socket  
16133-000



REF.	ORIGINAL PART NO.	*PART DESCRIPTION	MODEL USED ON	CURRENT REPLACEMENT PART NO.
1	1139A	LOUVER ASSEMBLY	MH-67	11394 000
2	10173	CEILING MOUNTING BRACKET - 4 Required	MH-67	Void - not avail.
3	29987	POWER UNIT ASSEMBLY	MH-67	Void - not avail.
4	17728	FAN BLADE ASSEMBLY	MH-67	17728-000
5	29938	MOTOR	MH-67	29938-000
6	29988	VENTURI AND STRAP ASSEMBLY	MH-67	29988-005
7	29995	COVER PLATE ASSEMBLY	MH-67	29995-000
8	10034	RECEPTACLE - 2 Required	MH-67	10034-000
9	29994	LAMP SOCKET	MH-67	Void - not avail.
10	29991	LENS REFLECTOR AND BEZEL ASSEMBLY	MH-67	Void - not avail.
11	16093	LENS AND BEZEL ASSEMBLY	MH-67	16115-000

# NuTone

NuTone  
Attn: Parts Department  
Madison & Red Bank Rds.  
Cincinnati, OH 45227-1599  
Phone: (513) 527-5426  
Fax: (513) 527-5173

NOTE: Always order by current part number