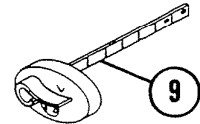
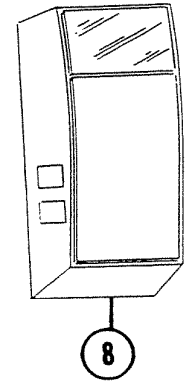
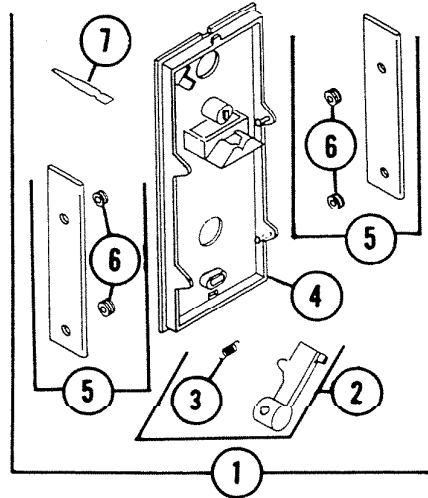
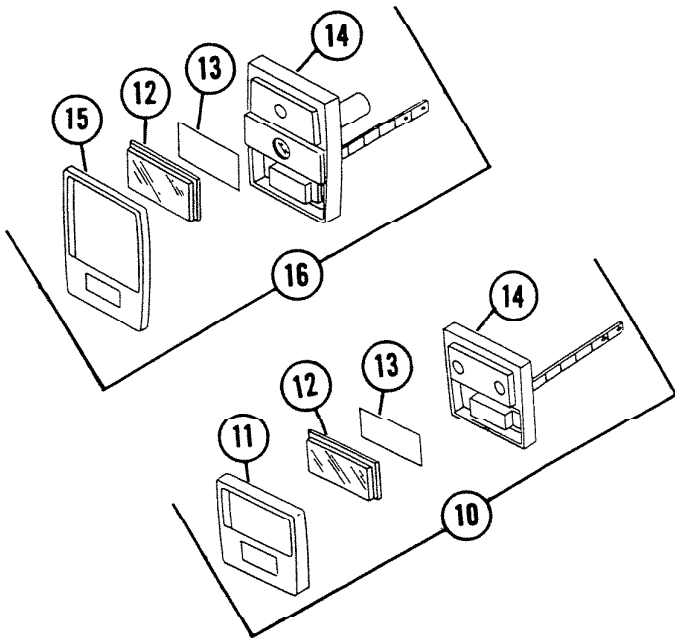


# PARTS LIST

<b>MODEL</b>	MC-303 MCN-304 CHIME MCV-309N
<b>EFFECTIVE DATE</b>	NEW JANUARY 1975



REF.	ORIGINAL PART NO.	* PART DESCRIPTION	MODEL USED ON	CURRENT REPLACEMENT PART NO.	
1	66487	Mechanism Assy.	MC-303 MCN-304 MCV-309N	66487-000	
2	66491	Striker Arm Assy.	MC-303 MCN-304 MCV-309N	66491-000	
3	66494	Striker Spring	MC-303 MCN-304 MCV-309N	66494-000	
4	66488	Baseplate	MC-303 MCN-304 MCV-309N	66488-000	
5	69616	Reed Set w/Grommets	MC-303 MCN-304 MCV-309N	69616-000	
6	69683	Grommet Set (6)	MC-303 MCN-304 MCV-309N	69683-000	
7	66490	Spring-Return	MC-303 MCN-304 MCV-309N	66490-046	
8	09882	Cover	White	MC-303 MCN-304	09882-000
	09883		Walnut	MCN-304	09883-000
	09907		White	MCV-309N	09907-000
	09908		Walnut	MCV-309N	09908-000
Please See Other Side					

**NuTone**

Order Parts From:  
Parts Department c/o NuTone  
P.O. Box 27 • Cincinnati, Ohio 45227

**NOTE: Always order by current part number.**

REF	ORIGINAL PART NO.	* PART DESCRIPTION	MODEL USED ON	CURRENT REPLACEMENT PART NO.
9	66498	Handle & Escutcheon Assy.	MC-303	66498-000
10	66522	Pushbutton Housing Assy.	Silver	66522-000
	66523		Gold	66523-000
11	66525	Escutcheon	Silver	66525-014
			Gold	66525-019
12	09889	Name Card Holder	MCN-304	09889-000
	00108		MCV-309N	00108-000
13	09887	Name Card	MCN-304 MCV-309N	09887-000
14	66527	Pushbutton Cam & Housing Assy.	MCN-304	66527-000
	66553		MCV-309N	66553-000
15	66544	Escutcheon	Silver	66544-014
			Gold	66554-019
16	66541	Pushbutton Housing Assy.	Silver	66541-000
	66542		Gold	66542-000
	66506	Envelope Assy. (Mtg. Hdwe.) (Not Shown)	MC-303	66506-000
	66530		MCN-304 MCV-309N	66530-000