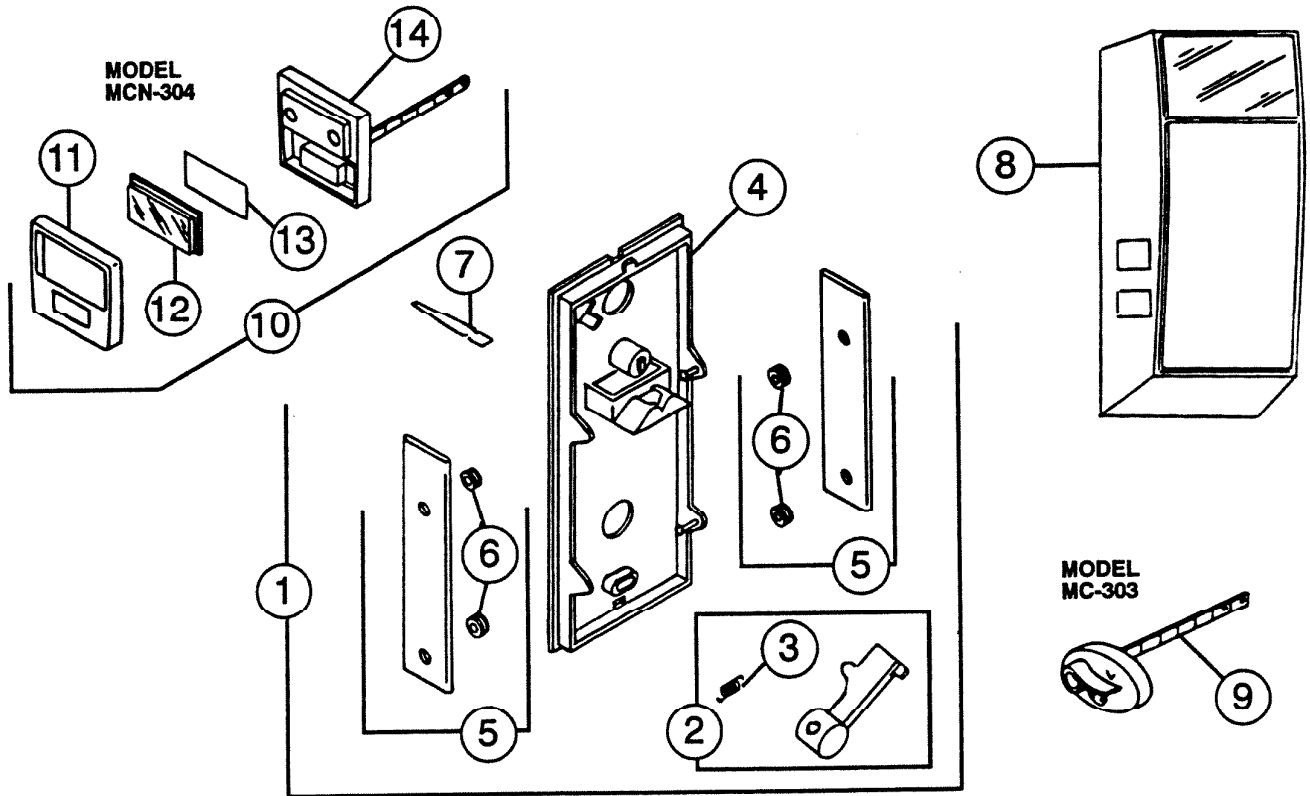


PARTS LIST

EFFECTIVE DATE	MODEL NUMBER	PRODUCT GROUP
OCTOBER 1994	MC-303 MCN-304 REVISED	CHIME



REF.	ORIGINAL PART NO.	*PART DESCRIPTION	MODEL USED ON	CURRENT REPLACEMENT PART NO.
1	66487	MECHANISM ASSEMBLY	All Models	66487-000
2	66491	STRIKER ARM ASSEMBLY	All Models	66491-000
3	66494	STRIKER ARM SPRING	All Models	66494-000
4	66488	BASEPLATE	All Models	66488-000
5	69616	REED SET - 2 With Grommets	All Models	69669-000
6	69683	GROMMET SET - 6	All Models	69683-000
7	66490	RETURN SPRING	All Models	66490-046

(PLEASE SEE OTHER SIDE)

NuTone

NuTone
Attn: Parts Department
Madison & Red Bank Rds.
Cincinnati, OH 45227-1599
Phone: (513) 527-5426
Fax: (513) 527-5173

↑

NOTE: Always order by current part number

REF.	ORIGINAL PART NO.	*PART DESCRIPTION	MODEL USED ON	CURRENT REPLACEMENT PART NO.	
8	9882	COVER	WHITE	All Models	09882-000
	9883		WALNUT	MCN-304	09883-000
9	66498	HANDLE AND ESCUTCHEON ASSEMBLY	MC-303	66523-000	
10	66522	PUSHBUTTON HOUSING ASSEMBLY	SILVER	All Models	Void - not avail.
	66523		GOLD		66523-000
11	66525	ESCUTCHEON	SILVER	MCN-304	66525-014
			GOLD		66525-019
12	9889	NAME CARD HOLDER	MCN-304	09889-000	
13	09887	NAME CARD – Can be made from card stock cut to size: 2" x 7/8"	MCN-304	09887-000	
14	66527	PUSHBUTTON CAM & HOUSING ASSEMBLY	MCN-304	66527-000	
-	66506	ENVELOPE ASSEMBLY (Mtg. Screws)	MC-303	Void - not avail.	
	66530	Not Shown	MCN-304	66530-000	

↑

NOTE: Always order by current part number