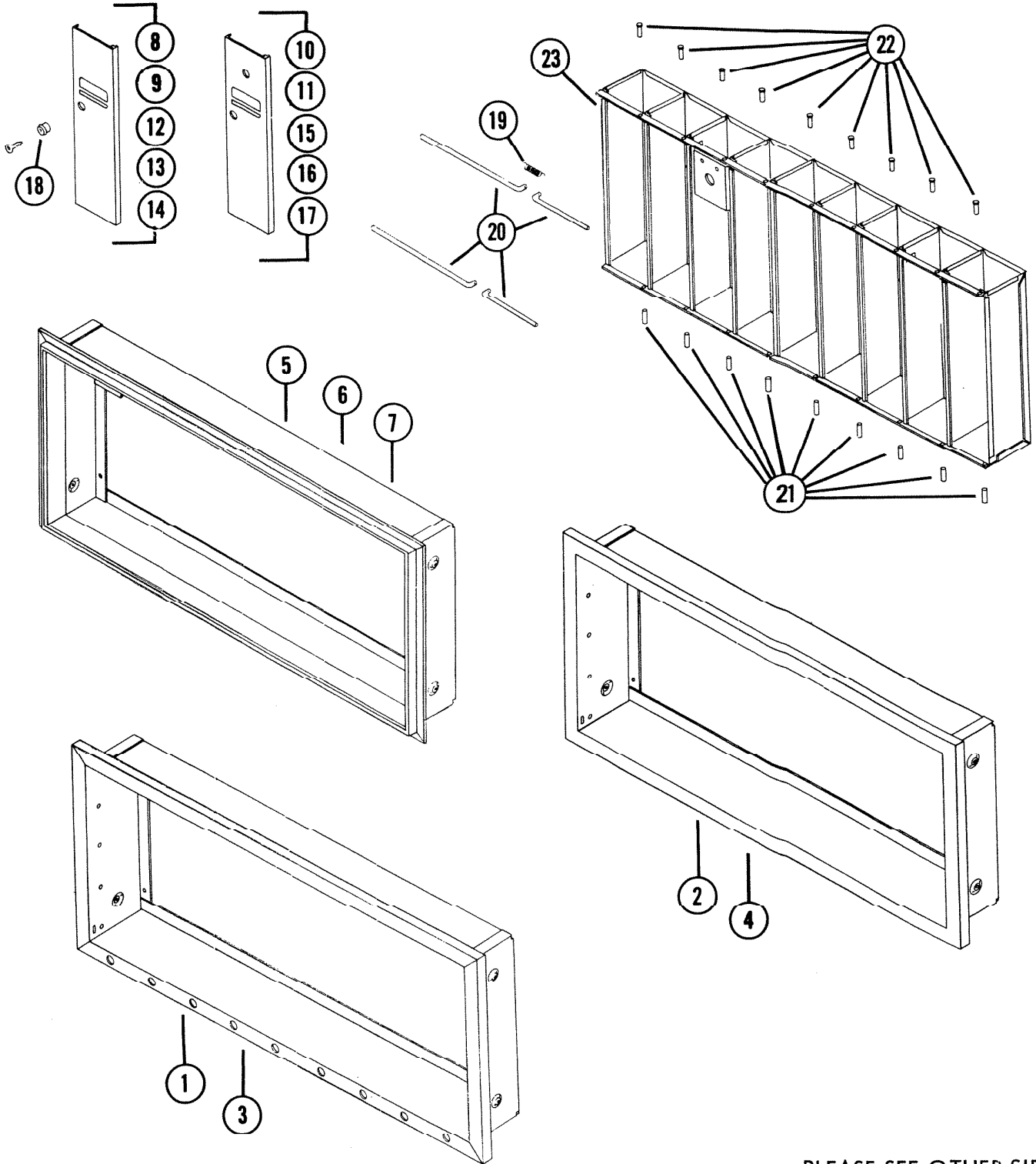


EFFECTIVE DATE
January 1, 1971

NuTone

PARTS LIST

MODEL
MBV 9 - MBV 9 PB
ELECTRONICS



PLEASE SEE OTHER SIDE

Order Parts From: PARTS DEPT. C/O
NuTone

REF.	PART NO.	*Part used on other model/s	PART DESCRIPTION
1	63829		"A" Housing Complete Silver Enamel Model MBV 9 SE P.B.
2	23533		"A" Housing Complete Silver Enamel Model MBV 9 SE
3	63830		"A" Housing Complete Brass Enamel Model MBV 9 BE P.B.
4	23534		"A" Housing Complete Brass Enamel Model MBV 9 BE
5	23549		"A" Housing Complete Silver Anodized Model MBV 9 SA
6	23550		"A" Housing Complete Brass Anodized Model MBV 9 BA
7	23549		"A" Housing Complete Silver Anodized Model MBV 9 SS
8	23704		Door Assy. Silver Enamel (Reg) Model MBV 9 SE & MBV 9 SE P.B.
9	23705		Door Assy. Brass Enamel (Reg) Model MBV 9 BE & MBV 9 BE P.B.
10	23699		Door Assy. Silver Enamel (Postal) Model MBV 9 SE & MBV 9 SE P.B.
11	23700		Door Assy. Brass Enamel (Postal) Model MBV 9 BE & MBV 9 BE P.B.
12	23706		Door Assy. Silver Anodized (Reg) Model MBV 9 SA
13	23707		Door Assy. Brass Anodized (Reg) Model MBV 9 BA
14	23708		Door Assy. Stainless Steel (Reg) Model MBV 9 SS
15	23701		Door Assy. Silver Anodized (Postal) Model MBV 9 SA
16	23702		Door Assy. Brass Anodized (Postal) Model MBV 9 BA
17	23703		Door Assy. Stainless Steel (Postal) Model MBV 9 SS
18	23716		Lock with Key
19	23621		Spring
20	23771		Locking Rod - Set of 2
21	23755		Hinge Pin Bottom
22	23718		Hinge Pin Top
23	69766		Mail Compartment (9-Compartment)
-	23719		Envelope Assembly (not shown)
-	23721		Envelope Assembly (Name Card Door, Name Card Inside, Key)

Order Parts From: PARTS DEPT. C/O

NuTone

DIVISION

Madison and Red Bank Rds., Cincinnati, O. 45227