

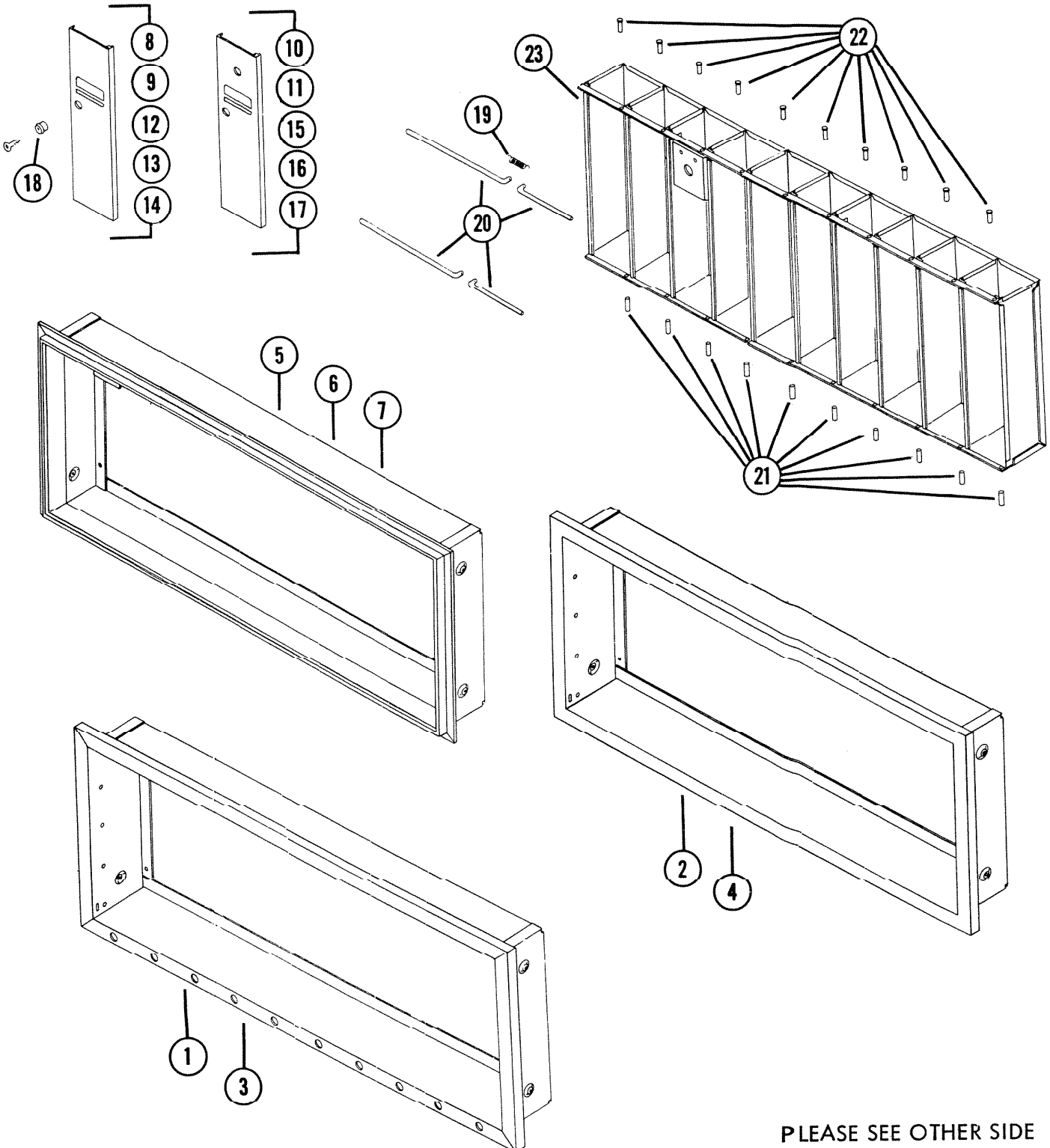
EFFECTIVE DATE

January 1, 1971

NuTone

PARTS LIST

MODEL
MBV 10 - MBV 10 PB
ELECTRONICS



PLEASE SEE OTHER SIDE

Order Parts From: PARTS DEPT. C/O

NuTone

REF.	PART NO.	*Part used on other model/s	PART DESCRIPTION
1	63831		"A" Housing Complete Silver Enamel Model MBV 10 SE P.B.
2	23535		"A" Housing Complete Silver Enamel Model MBV 10 SE
3	63822		"A" Housing Complete Brass Enamel Model MBV 10 BE P.B.
4	23536		"A" Housing Complete Brass Enamel Model MBV 10 BE
5	23551		"A" Housing Complete Silver Anodized Model MBV 10 SA
6	23552		"A" Housing Complete Brass Anodized Model MBV 10 BA
7	23551		"A" Housing Complete Silver Anodized Model MBV 10 SS
8	23704		Door Assy. Silver Enamel (Reg) Model MBV 10 SE & MBV 10 SE P.B.
9	23705		Door Assy. Brass Enamel (Reg) Model MBV 10 BE & MBV 10 BE P.B.
10	23699		Door Assy. Silver Enamel (Postal) Model MBV 10 SE & MBV 10 SE P.B.
11	23700		Door Assy. Brass Enamel (Postal) Model MBV 10 BE & MBV 10 BE P.B.
12	23706		Door Assy. Silver Anodized (Reg) Model MBV 10 SA
13	23707		Door Assy. Brass Anodized (Reg) Model MBV 10 BA
14	23708		Door Assy. Stainless Steel (Reg) Model MBV 10 SS
15	23701		Door Assy. Silver Anodized (Postal) Model MBV 10 SA
16	23702		Door Assy. Brass Anodized (Postal) Model MBV 10 BA
17	23703		Door Assy. Stainless Steel (Postal) Model MBV 10 SS
18	23716		Lock with Key
19	23621		Spring
20	23771		Locking Rod - Set of 2
21	23755		Hinge Pin Bottom
22	23718		Hinge Pin Top
23	69767		Mail Compartment (10 Compartment)
-	23719		Envelope Assembly (not shown)
-	23721		Envelope Assembly (Name Card Door, Name Card Inside, Key)

Order Parts From: PARTS DEPT. C/O

NuTone
DIVISION

Madison and Red Bank Rds., Cincinnati, O. 45227