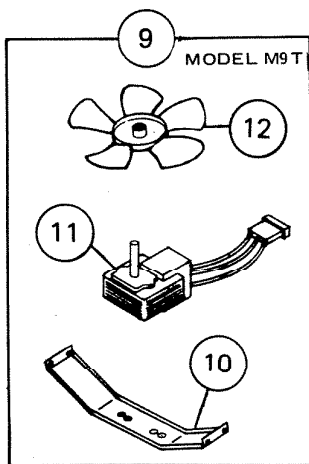
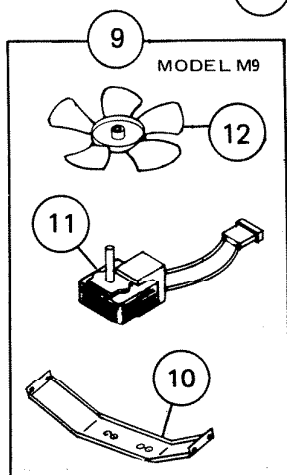
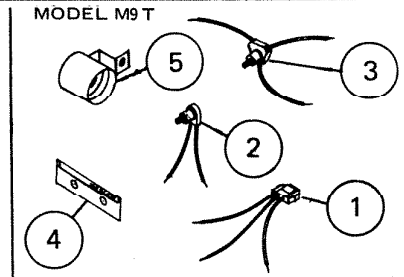
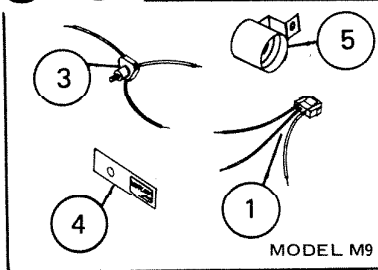
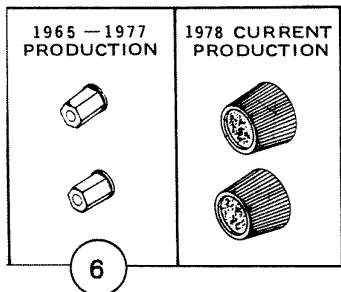
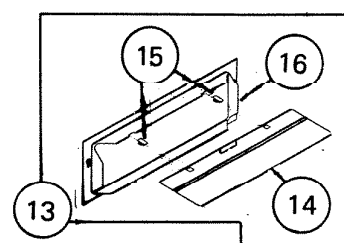
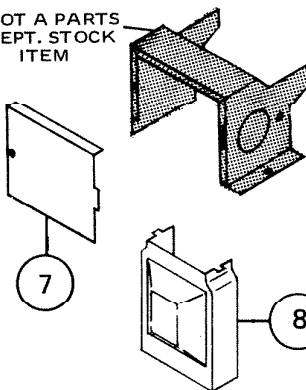


PARTS LIST

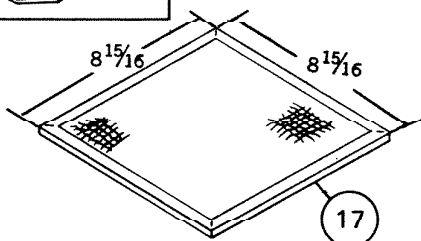
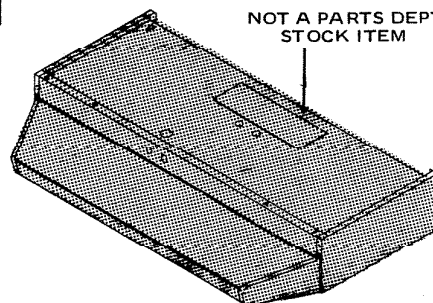
EFFECTIVE DATE	MODEL	PRODUCT GROUP
MARCH 1984	M-9, M-9T REVISED	HOODS



NOT A PARTS DEPT. STOCK ITEM



NOT A PARTS DEPT. STOCK ITEM



REF.	ORIGINAL PART NO.	* PART DESCRIPTION	MODEL USED ON	CURRENT REPLACEMENT PART NO.	
1	27240	PLUG HOUSING SOCKET ASSY	M-9/M-9T	1259A-000	
2	17163	LIGHT SWITCH ASSY W/KNOB	M-9/M-9T	69112-000	
3	27867	SPEED SWITCH W/KNOB	FAN & LIGHT	M-9	2911A-000
	24485		FAN	M-9T	69145-000
4	27854	NAMEPLATE	M-9	VOID NOT AVAILABLE	
	27855		M-9T	67167-000	
5	18775	LIGHT SOCKET	M-9/M-9T	18775-000	
(PLEASE SEE OTHER SIDE)					

NuTone

NOTE Always order by current part number

REF	ORIGINAL PART NO	PART DESCRIPTION			
6	69176	KNOB SET	PRODUCTION 1971/1978	M-9/M-9T	2898A-000
	67163		PRODUCTION 1978/CURRENT		2901A-000
7	27851	OUTLET BOX COVER		M-9/M-9T	27851-005
8	27897	LIGHT LENS		M-9/M-9T	27897-000
9	69072	"B" UNIT		M-9	69072-000
	69071			M-9T	69071-000
10	27850	MOTOR MOUNTING BRACKET		M-9/M-9T	27850-000
11	27973	MOTOR		M-9	27973-000
	27987			M-9T	27987-000
12	27860	FAN BLADE		M-9/M-9T	68293-000
13	64440	DUCT COLLAR ASSEMBLY		M-9/M-9T	64440-000
14	27971	LOUVER ASSEMBLY		M-9/M-9T	27971-000
15	26867	LOUVER CLIP - 2 REQUIRED		M-9/M-9T	26867-000
16	64421	DUCT COLLAR		M-9/M-9T	64421-000
17	27861	ALUMINUM FILTER		M-9/M-9T	27861-000
	27871	ENVELOPE ASSY (NOT SHOWN)		M-9/M-9T	27871-000