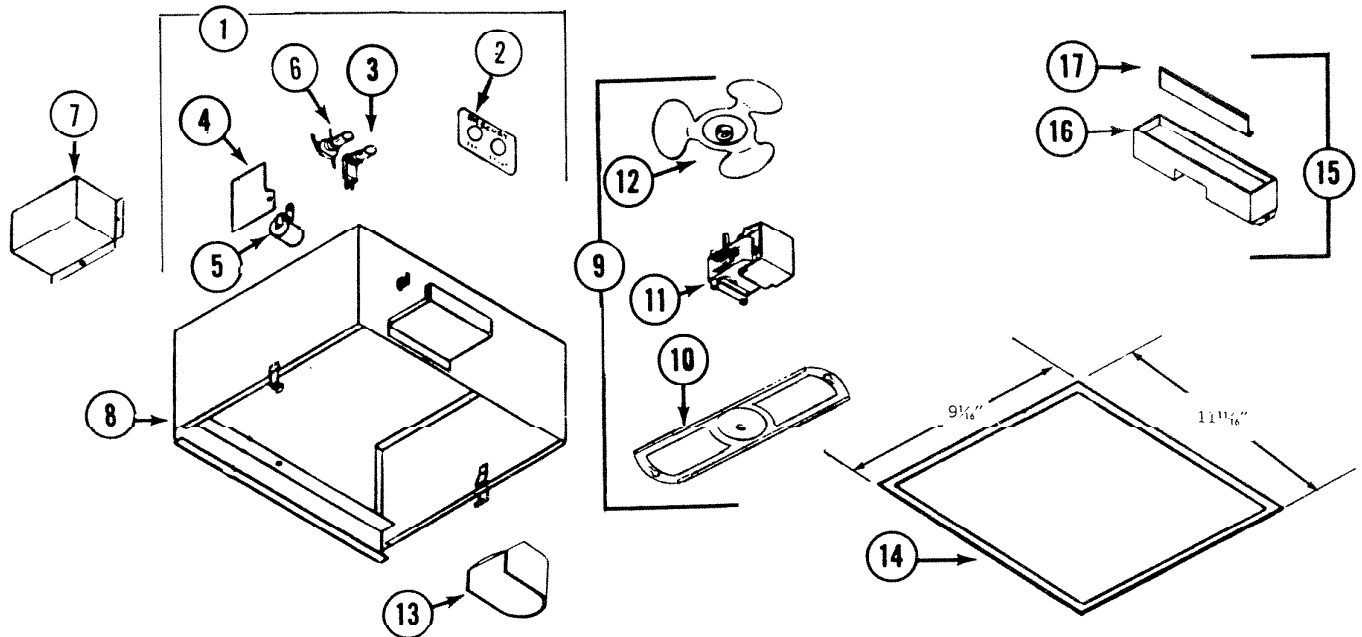


PARTS LIST

MODEL	M8 M8T HOOD
EFFECTIVE DATE	REVISED JANUARY, 1974



REF.	ORIGINAL PART NO.	* PART DESCRIPTION	MODEL USED ON	CURRENT REPLACEMENT PART NO.
1	22439	WIRING HARNESS	M8	22439-000
	24484		M8T	24484-000
2	24472	NAMEPLATE	M8	24472-000
	24473		M8T	24473-000
3	17163	SWITCH LIGHT	M8, M8T	17163-000
4	22318	LIGHT CELL COVER	M8	22318-005
			M8T	
5	22316	LIGHT SOCKET	M8	22316-000
			M8T	
6	22437	SWITCH FAN	M8	22437-000
	24485		M8T	24485-000
7	21932	OUTLET BOX COVER	M8	21932-000
			M8T	
8	22871	FAN HOUSING ASSY.	M8	22871-000
			M8T	
9	24460	"B" UNIT (MOTOR, BLADE & BRKT.)	M8	24460-000
	24461		M8T	24461-000
10	11840	MOTOR BRACKET	M8	11840-000
			M8T	
11	24462	MOTOR	M8	24462-000
	24463		M8T	24463-000
12	24464	FAN BLADE	M8	24464-000
			M8T	
13	22374	LIGHT LENS	M8T	22374-000
		PLEASE SEE OTHER SIDE		

NuTone Division

Order Parts From:
Parts Department c/o NuTone
P.O. Box 27 • Cincinnati, Ohio 45227

NOTE: Always order by current part number.

Part No. M8—M8T—174

