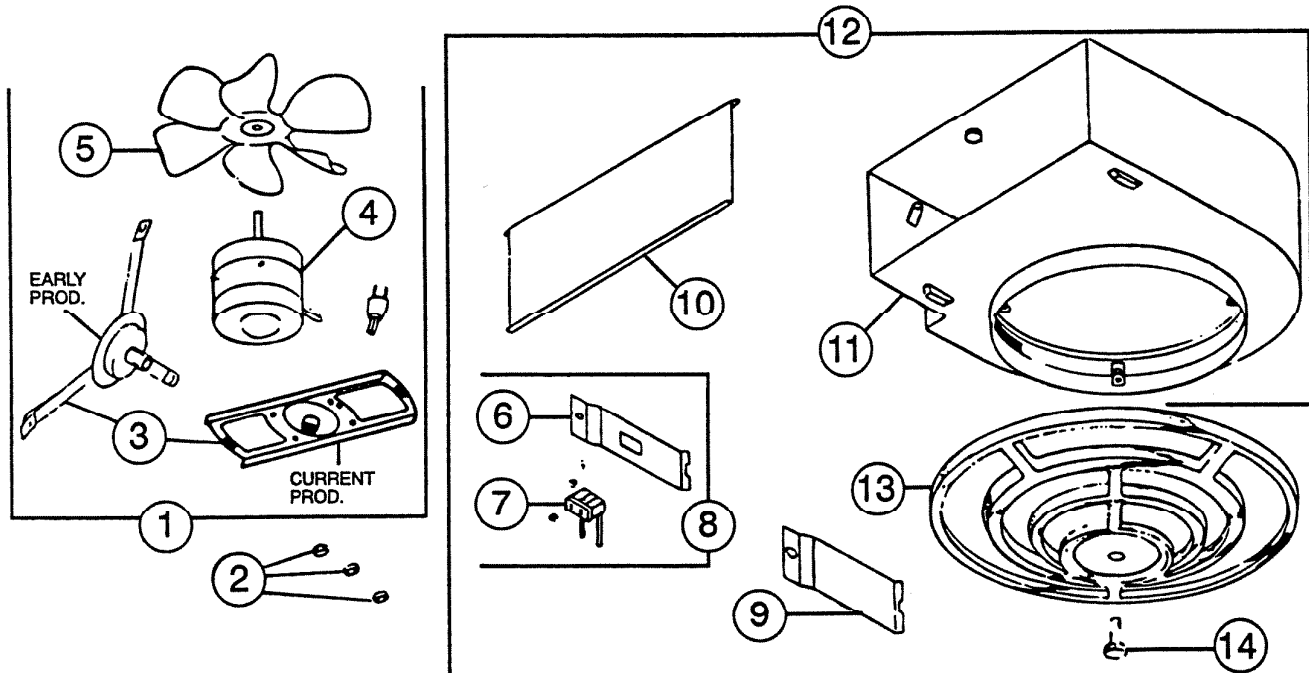


PARTS LIST

EFFECTIVE DATE	MODEL NUMBER	PRODUCT GROUP
JANUARY 1995	M630, 631, 632, 633 REVISED	FAN



REF.	ORIGINAL PART NO.	*PART DESCRIPTION	MODEL USED ON	CURRENT REPLACEMENT PART NO.
1	69026	"B" UNIT, Early Production	M630	VOID-NOT AVAILABLE
	69094	REF. NO'S. 3, 4, AND 5 Current Production	631, 632, 633	69094-000
2	10058	GROMMET (3)	M630	1241A-000
3	10744	MOTOR BRACKET ASSY. Early Production	M630	VOID-NOT AVAILABLE
	15848	— INCLUDES GROMMETS Current Production	631, 632, 633	15848-000
4	26750	MOTOR	M630	26750-SER
			631, 632, 633	
5	11805	FAN BLADE ASSEMBLY	M630	11805-000
	29044		631, 632, 633	VOID-NOT AVAILABLE
6	10738	RECEPTACLE MOUNTING BRACKET	M630	VOID-NOT AVAILABLE
			631, 632, 633	

(PLEASE SEE OTHER SIDE)

NuTone

NuTone
 Attn: Parts Department
 Madison & Red Bank Rds.
 Cincinnati, OH 45227-1599
 Phone: (513) 527-5426
 Fax: (513) 527-5173

↑
NOTE: Always order by current part number

REF.	ORIGINAL PART NO	*PART DESCRIPTION	MODEL USED ON	CURRENT REPLACEMENT PART NO.	
7	10034	RECEPTACLE	M630	10034-000	
			631, 632, 633		
8	69004	RECEPTACLE MOUNTING PLATE COMPLETE	M630	69004-000	
			631, 632, 633		
9	10737	OUTLET BOX COVER	M630	10737-000	
			631, 632, 633		
10	10725	HOUSING ASSEMBLY	Early Production Current Production	M630	VOID-NOT AVAILABLE
	15846			631, 632, 633	15846-005
11	10742	LOUVER ASSEMBLY	M630	10742-000	
			631, 632, 633		
12	69059	HOUSING ASSEMBLY REF. NO'S. 8, 9, 10	Early Production Current Production	M630	VOID-NOT AVAILABLE
	69095			631, 632, 633	VOID-NOT AVAILABLE
13	13065	GRILLE ASSEMBLY	M630	13066-000	
	13066			631, 632, 633	13066-000
14	11247	GRILLE SCREWS (1/4-201" LONG)	M630	12220-001	
			631, 632, 633		

↑

NOTE: Always order by current part number