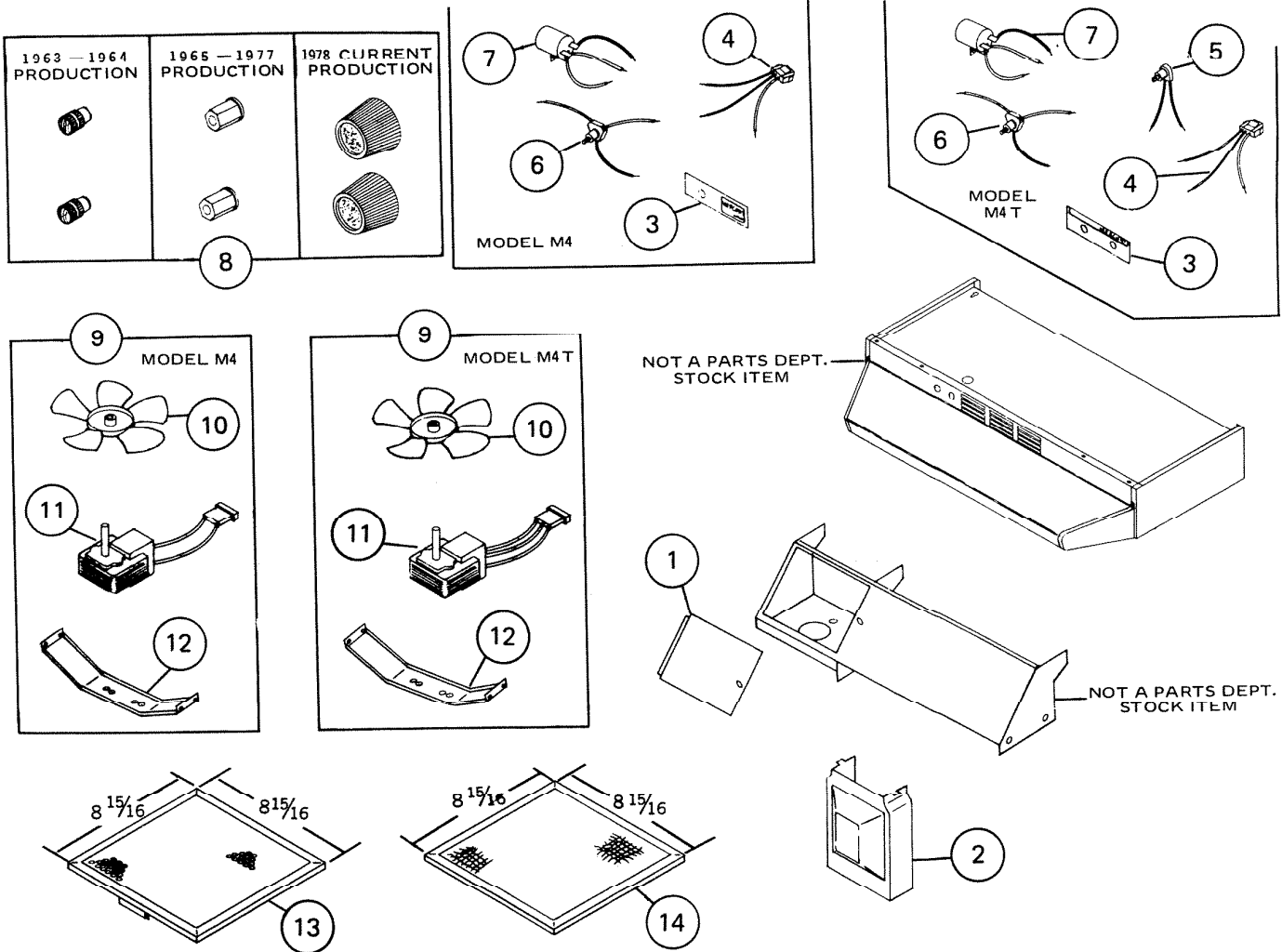


PARTS LIST

EFFECTIVE DATE	MODEL	PRODUCT GROUP
DEC. 1979	M4, M4T REVISED	HOOD



REF.	ORIGINAL PART NO.	* PART DESCRIPTION	MODEL USED ON	CURRENT REPLACEMENT PART NO.
1	27852	ACCESS COVER	M4, M4T	27852-000
2	27897	LENS (PLASTIC)	M4, M4T	27897-000
3	27854	NAMEPLATE	M4	67164-000
	27855		M4T	67167-000
4	27240	PLUG HOUSING	M4, M4T	1259A-000
5	17163	SWITCH - LIGHT	M4T	69112-000
(PLEASE SEE OTHER SIDE)				

NuTone Division

NOTE: Always order by current part number.

REF.	ORIGINAL PART NO.	* PART DESCRIPTION		MODEL USED ON	CURRENT REPLACEMENT PART NO.
6	27867	SWITCH	FAN & LIGHT	M4	2911A-000
	24485		FAN ONLY	M4T	69145-000
7	14979	LIGHT SOCKET		M4, M4T	14979-000
8	69176	KNOB SET	1963 - 1964 AND 1965 - 1977 PRODUCTION	M4, M4T	2898A-000
	67163		1978 CURRENT PRODUCTION		2901A-000
9	69070	"B" UNIT		M4	69070-000
	69069			M4T	69069-000
10	27860	FAN BLADE		M4, M4T	68293-000
11	27869	MOTOR		M4	27869-000
	27898			M4T	27898-000
12	27850	MOTOR BRACKET		M4, M4T	27850-000
13	27862	CARBON FILTER (CHARCOAL 3/8" x 8 15/16" x 8 15/16")		M4, M4T	27243-900
14	27861	ALUMINUM FILTER (11/32" x 8 15/16" x 8 15/16")		M4, M4T	27861-000
----	27871	ENVELOPE ASSY. (MTG. SCREWS) Not Shown		M4, M4T	27871-000