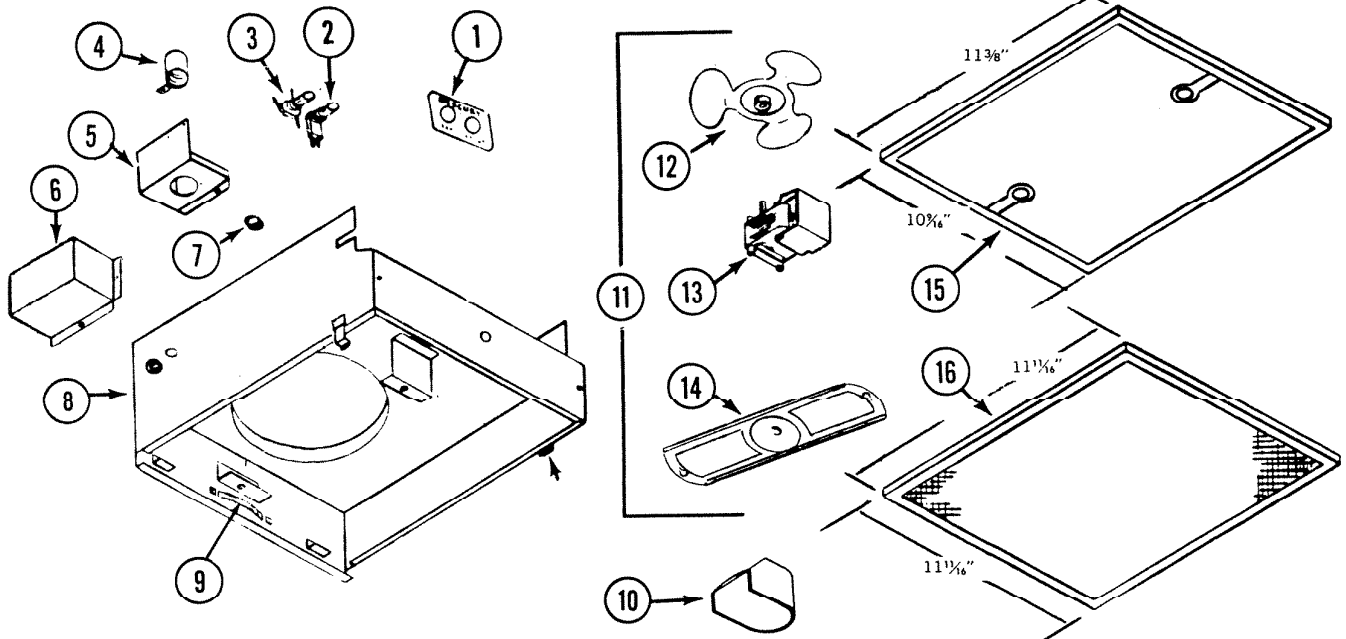


PARTS LIST

MODEL	M3 M3T HOOD
EFFECTIVE DATE	REVISED JANUARY, 1974



REF.	ORIGINAL PART NO.	* PART DESCRIPTION	MODEL USED ON	CURRENT REPLACEMENT PART NO.
1	24493	NAMEPLATE	M3	24493-000
	24494		M3T	24494-000
2	17163	SWITCH (LIGHT)	M3	17163-000
			M3T	
3	22437	SWITCH (FAN)	M3	22437-000
	24485		M3T	24485-000
4	18775	LIGHT SOCKET	M3	18775-000
			M3T	
5	22868	LIGHT CELL	M3	22868-005
			M3T	
6	21932	OUTLET BOX COVER	M3	21932-005
			M3T	
7	10058	GROMMET	M3	10058-000
			M3T	
8	22865	FAN HOUSING ONLY	M3	22865-005
			M3T	
9	18661	FILTER SPRING	M3	18661
			M3T	
10	22374	LAMP SHIELD	M3T	22374-000
	24460		M3	24460-000
11	24461	"B" UNIT	M3T	24461-000
12	24464	FAN BLADE	M3	24464-000
			M3T	
13	24462	MOTOR	M3	24462-000
	24463		M3T	24463-000
		PLEASE SEE OTHER SIDE		

NuTone

Order Parts From:
 Parts Department c/o NuTone
 P.O. Box 27 • Cincinnati, Ohio 45227

NOTE: Always order by current part number.

REF.	ORIGINAL PART NO.	* PART DESCRIPTION	MODEL USED ON	CURRENT REPLACEMENT PART NO.
14	11840	MOTOR BRACKET	M3 M3T	11840-005
15	21880	CARBON FILTER (CHARCOAL $\frac{1}{2}$ "x $10\frac{1}{8}$ "x $11\frac{1}{8}$ "	M3 M3T	21880-000
16	21882	FILTER — ALUM. $\frac{1}{2}$ "x $11\frac{1}{8}$ "x $11\frac{1}{8}$ "	M3 M3T	21882-000
—	22870	WIRING HARNESS (NOT SHOWN)	M3	22870-000
	22869		M3T	22869-000
—	14178	ENVELOPE ASSY. (NOT SHOWN)	M3 M3T	14178-000