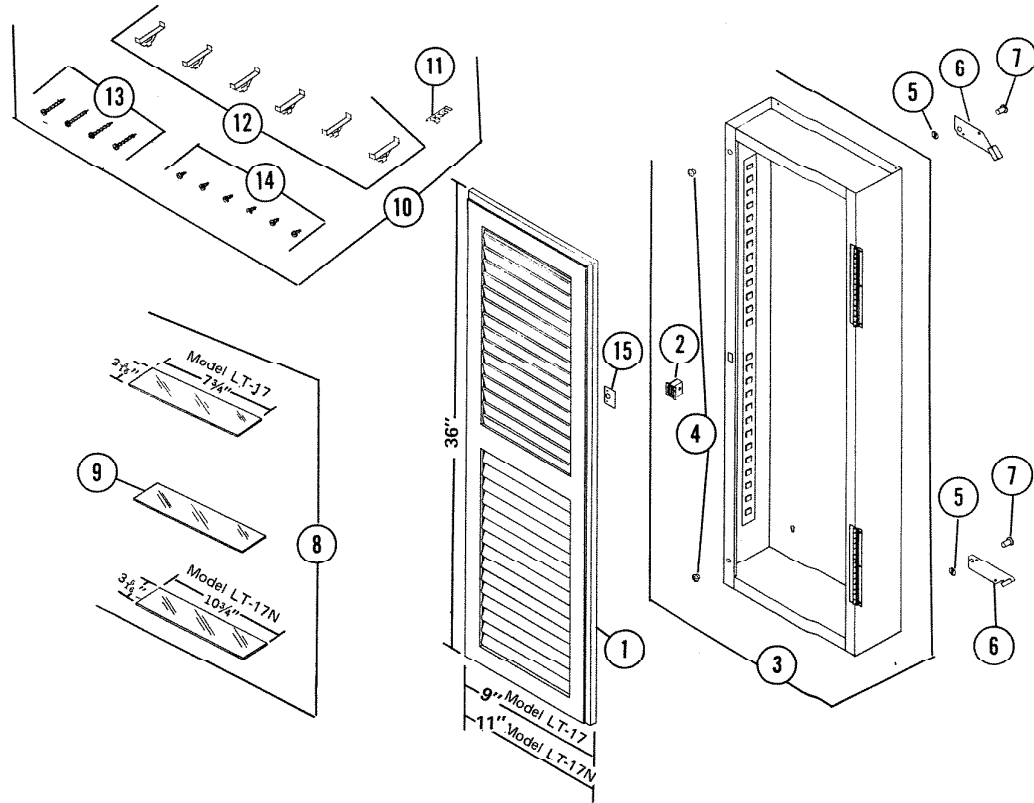


PARTS LIST

EFFECTIVE DATE	MODEL	PRODUCT GROUP
APRIL 1978	LT-17 REVISED LT-17N NEW	BATH CABINETS



REF.	ORIGINAL PART NO.	* PART DESCRIPTION	MODEL USED ON	CURRENT REPLACEMENT PART NO.	
1	90925-000	DOOR	LT-17	90925-000	
	94741-000		LT-17N	94741-000	
2	90916-000	CATCH MAGNETIC	LT-17 - LT-17N	90916-000	
3	90911-000	BODY ASSY.	LT-17	90911-206	
	90972-000		LT-17N	90972-206	
4	90069-000	BUMPER	LT-17N	2093A-000	
5	16756-000	NUT-TINNERMAN	LT-17 - LT-17N	16756-000	
6	90917-000	SWING LOCK	L.H.	LT-17 - LT-17N	90917-014
	90918-000		R.H.	LT-17 - LT-17N	90918-014
7	25538-000	RIVET	LT-17 - LT-17N	25538-000	
8	90921-000	SHELF BUNDLE (3)	LT-17	90921-000	
	90940-000		LT-17N	90940-000	
		PLEASE SEE OTHER SIDE			

NuTone

NOTE: Always order by current part number.

REF.	ORIGINAL PART NO.	* PART DESCRIPTION	MODEL USED ON	CURRENT REPLACEMENT PART NO.	
9	90922-000	SHELF ONLY (1)	3 5/16 X 7 3/4	LT-17	90922-000
	90941-000		3 5/16 X 10 3/4	LI-1/N	90941-000
10	92155-000	HARDWARE SET	LT- 17- LT-17N	92155-000	
11	92264-000	TOOTHBRUSH HOLDER	LT-17 - LT-17N	92264-000	
12	90589-000	SHELF SUPPORT (1) 6-Required	LT-17 - LT-17N	90589-000	
13	90040-000	SCREW PACK (6) #8 - 1 1/4"	LT-17 - LT-17N	69781-000	
14	90029-000	SCREW PACK	LT-17 - LT-17N	2081A-000	
15	92150-000	STRIKE PLATE	LT-17 - LT-17N	92150-000	