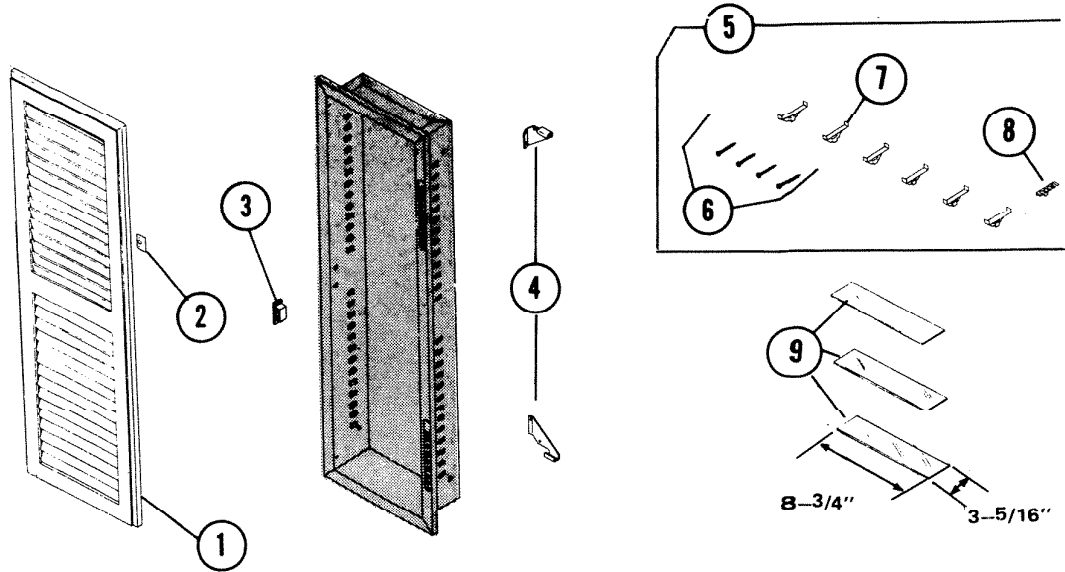


PARTS LIST

EFFECTIVE DATE	MODEL	PRODUCT GROUP
JAN. 1987	LT-16W NEW	BATH CABINET



NOT A PARTS DEPT. STOCK ITEM 

REF.	ORIGINAL PART NO.	* PART DESCRIPTION		MODEL USED ON	CURRENT REPLACEMENT PART NO.
1	94741	DOOR		LT-16W	94741-A05
2	92150	STRIKE PLATE		LT-16W	92150-004
3	90011	CATCH - MAGNETIC		LT-16W	90011-000
4	90954	SWING LOCK SET	R.H.	LT-16W	69372-000
	90955		L.H.		
5	93902	HARDWARE SET		LT-16W	93902-000
6	69781	SCREW SET		LT-16W	69781-000
7	90589	SHELF SUPPORT (1)		LT-16W	90589-000
8	92264	TOOTHBRUSH HOLDER		LT-16W	92264-000
9	90961	SHELF 3 5/16" X 8 3/4"	ONE	LT-16W	90961-000
	90960		SET OF 3	LT-16W	90960-000

NuTone

PRINTED IN U.S.A.

↑

NOTE: Always order by current part number.