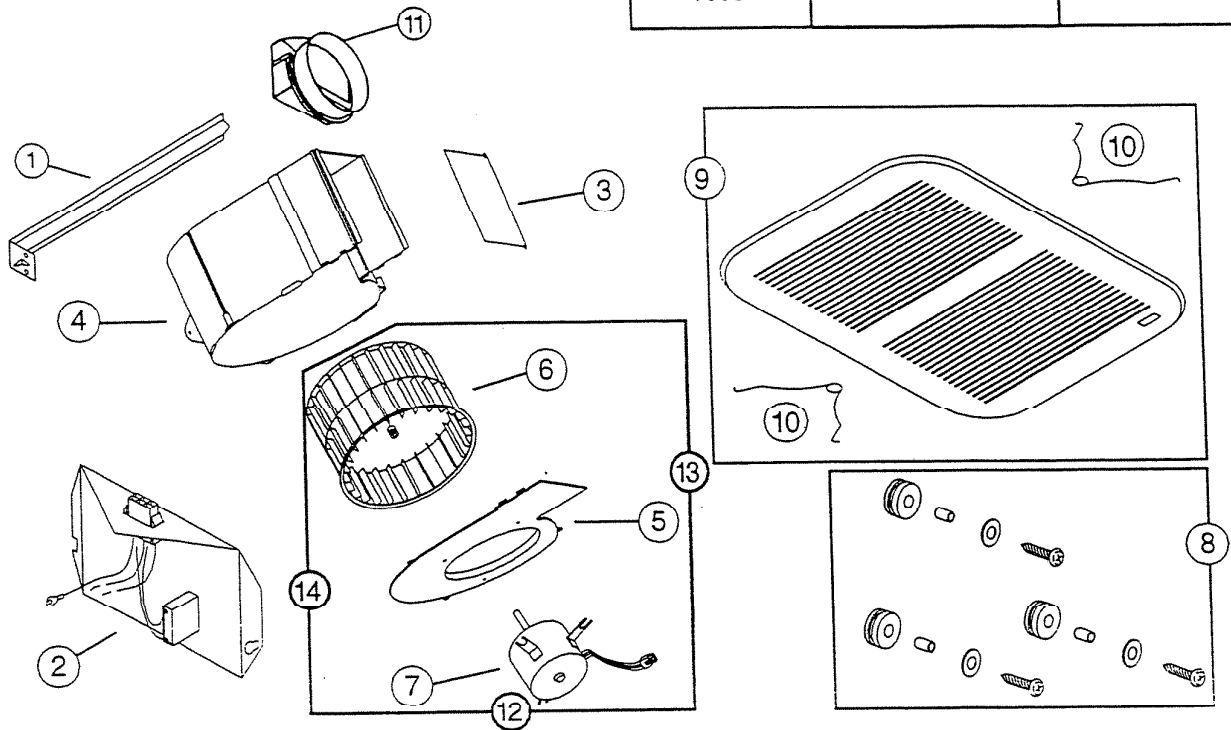


# PARTS LIST

EFFECTIVE DATE	MODEL NUMBER	PRODUCT GROUP
REVISED MAY 1998	LS50, LS80, LS100	FAN



REF.	ORIGINAL PART NO.	*PART DESCRIPTION	MODEL USED ON	CURRENT REPLACEMENT PART NO.
1	44388	MOUNTING BRACKET (4 required)	LS50, LS80, LS100	44388-000
2	89157	OUTLET BOX ASSEMBLY	LS50, LS80, LS100	89157-000
3	89165	LOUVER	LS50, LS80, LS100	89165-000
4	89163	BLOWER HOUSING	LS50, LS80, LS100	89163-000
5	89164	MOTOR MOUNTING PLATE	LS50, LS80, LS100	89164-000
6	89166	BLOWER WHEEL	LS50, LS80, LS100	89166-000
7	89168	MOTOR - LS50	LS50	89168-000
	89167	MOTOR - LS80	LS80	89167-000
	89169	MOTOR - LS100	LS100	89169-000
8	0506B	MOTOR MOUNTING HARDWARE	LS50, LS80, LS100	0506B-000
9	84607	GRILLE ASSEMBLY	LS50, LS80, LS100	84607-000
10	0448A	SPRING SET	LS50, LS80, LS100	0448A-000
11	89156	DUCT COLLAR	LS-50, LS80, LS100	89156-005
12	89179	POWER UNIT	LS50	89179-000
13	89180	POWER UNIT	LS80	89180-000
14	89181	POWER UNIT	LS100	89181-000

# NuTone®

NuTone  
Attn: Parts Department  
Madison & Red Bank Rds.  
Cincinnati, OH 45227-1599  
Phone: (513) 527-5426  
Fax: (513) 527-5173

*A Hsg  
89179005*

NOTE: Always order by  
current part number