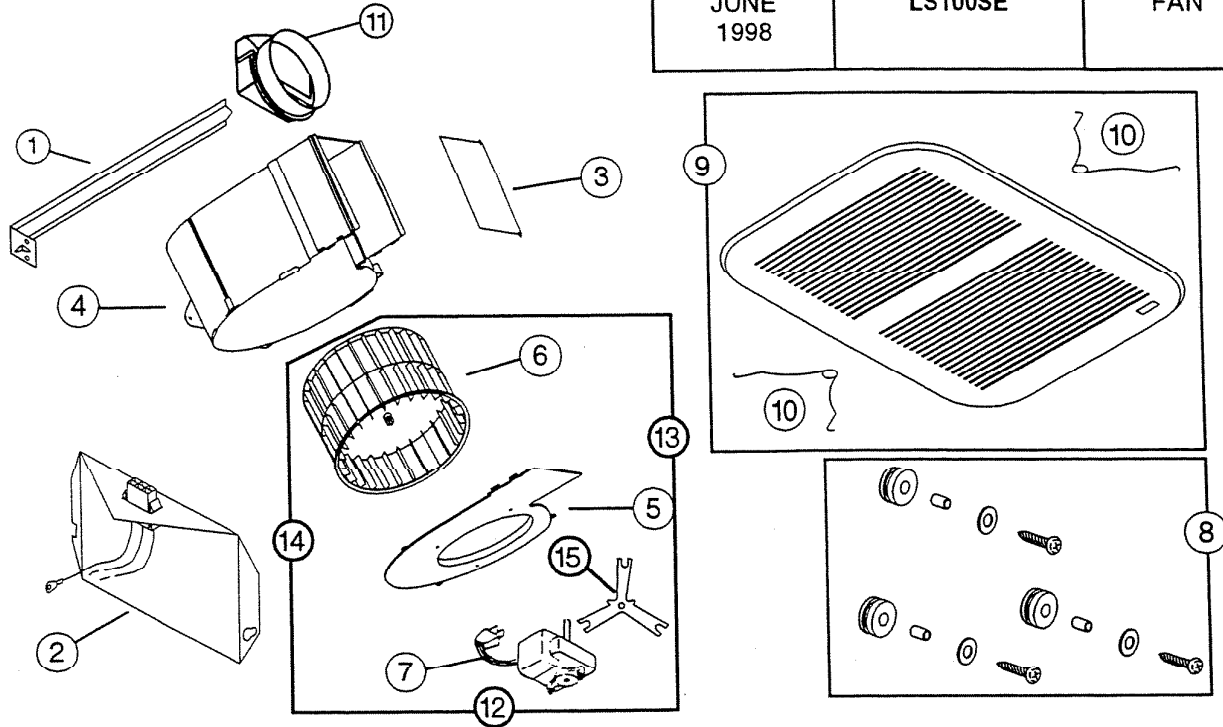


PARTS LIST

EFFECTIVE DATE	MODEL NUMBER	PRODUCT GROUP
Rev. JUNE 1998	LS50SE, LS80SE, LS100SE	FAN



REF.	ORIGINAL PART NO.	*PART DESCRIPTION	MODEL USED ON	CURRENT REPLACEMENT PART NO.
1	44388	MOUNTING BRACKET (4 required)	LS50SE, LS80SE, LS100SE	44388-000
2	88617	OUTLET BOX ASSEMBLY	LS50SE, LS80SE, LS100SE	88617-000
3	89165	LOUVER	LS50SE, LS80SE, LS100SE	89165-000
4	89163	BLOWER HOUSING	LS50SE, LS80SE, LS100SE	89163-000
5	89164	MOTOR MOUNTING PLATE	LS50SE, LS80SE, LS100SE	89164-000
6	89166	BLOWER WHEEL	LS50SE, LS80SE, LS100SE	89166-000
7	88623	MOTOR - LS50SE	LS50SE	88623-000
	88624	MOTOR - LS80SE	LS80SE	88624-000
	88625	MOTOR - LS100SE	LS100SE	88625-000
8	0506B	MOTOR MOUNTING HARDWARE	LS50SE, LS80SE, LS100SE	0506B-000
9	84607	GRILLE ASSEMBLY	LS50SE, LS80SE, LS100SE	84607-000
10	0448A	SPRING SET	LS50SE, LS80SE, LS100SE	0448A-000
11	89156	DUCT COLLAR	LS50SE, LS80SE, LS100SE	89156-005
12	88620	POWER UNIT	LS50SE	88620-000
13	88621	POWER UNIT	LS80SE	88621-000
14	88622	POWER UNIT	LS100SE	88622-000
15	88626	MOTOR BRACKET	LS50SE, LS80SE, LS100SE	88626-000

NuTone®

NuTone
 Attn: Parts Department
 Madison & Red Bank Rds.
 Cincinnati, OH 45227-1599
 Phone: (513) 527-5426
 Fax: (513) 527-5173

↑
NOTE: Always order by current part number