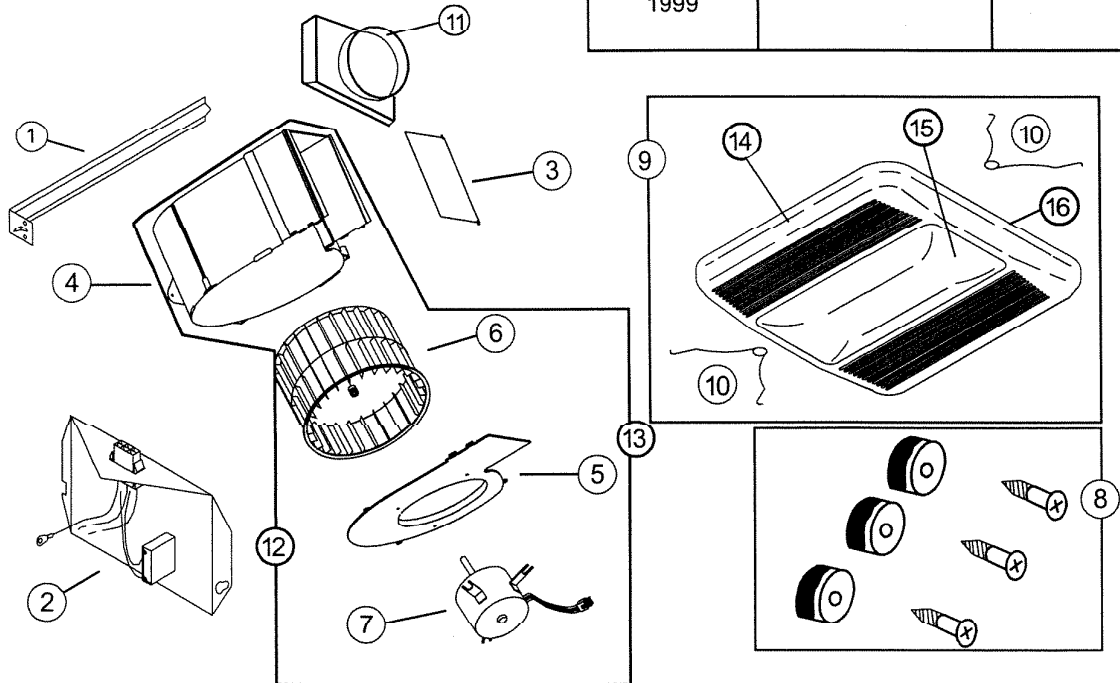


PARTS LIST

EFFECTIVE DATE	MODEL NUMBER	PRODUCT GROUP
Rev. MAY 1999	LS80L, LS100L	FAN



REF.	ORIGINAL PART NO.	*PART DESCRIPTION	MODEL USED ON	CURRENT REPLACEMENT PART NO.
1	44388	HANGER BAR (4 required)	LS80L, LS100L	44388-000
2	88939	OUTLET BOX ASSEMBLY	LS80L, LS100L	88939-000
3	89165	LOUVER	LS80L, LS100L	89165-000
4	89163	BLOWER HOUSING	LS80L, LS100L	89163-000
5	89164	MOTOR MOUNTING PLATE	LS80L, LS100L	89164-000
6	89166	BLOWER WHEEL	LS80L, LS100L	89166-000
7	89167	MOTOR - LS80	LS80L	89167-000
	89169	MOTOR - LS100	LS100L	89169-000
8	0506B	MOTOR MOUNTING HARDWARE	LS80L, LS100L	0506B-000
9	88958	GRILLE ASSEMBLY	LS80L, LS100L	88958-000
10	85046	SPRING (2 required)	LS80L, LS100L	0431A-000
11	89156	DUCT COLLAR	LS80L, LS100L	89156-005
12	88954	POWER UNIT	LS80L	88954-000
13	88955	POWER UNIT	LS100L	88955-000
14	0701B	GRILLE & SPRING ASSEMBLY	LS80L, LS100L	0701B-000
15	84999	LENS	LS80L, LS100L	84999-000
16	88946	REFLECTOR ASSEMBLY (not shown)	LS80L, LS100L	88946-000

NuTone®

NuTone
 Attn: Parts Department
 Madison & Red Bank Rds.
 Cincinnati, OH 45227-1599

NOTE: Always order by current part number

LS80L, LS100L I.I.