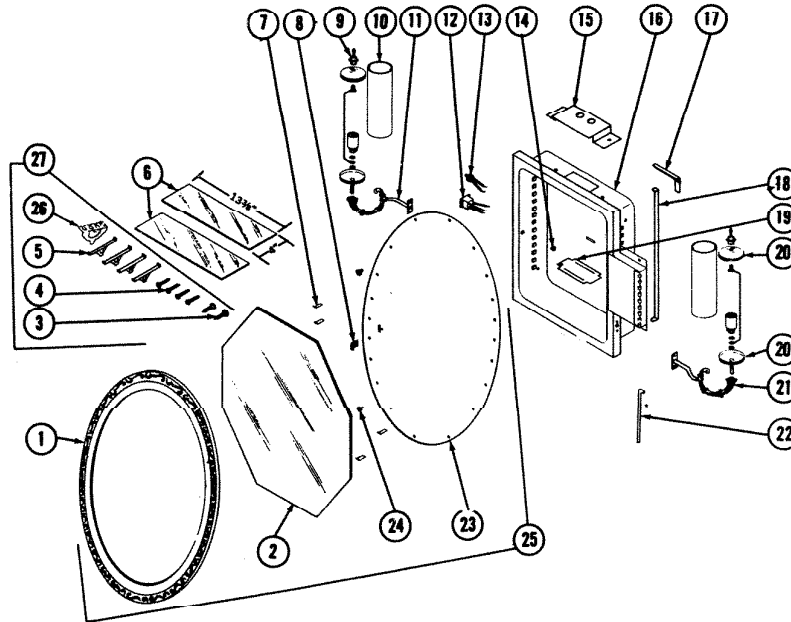


PARTS LIST

MODEL	LO-16 – LO-17
EFFECTIVE DATE	AUGUST, 1973



REF	ORIGINAL PART NO	PART DESCRIPTION	MODEL USED ON	CURRENT REPLACEMENT PART NO.
1	90021-000 90023-000	FRAME GOLD GOLD – BRUSHED WHITE	LO-16 LO-17	90021-000 90023-000
2	90025-000	MIRROR	LO-16 – LO-17	90025-000
3	90041-000	MOLLY SCREW (1) 2 REQUIRED	LO-16 – LO-17	90041-000
4	90040-000	MOUNTING SCREWS SET OF 6	LO-16 – LO-17	69781-000
5	90039-000 69780-000	SHELF SUPPORT (1) 4 REQUIRED	LO-16 LO-17	90039-000 69780-000
6	90043-000 92213-000	SHELF ONE SET OF 2	LO-16 LO-17	90043-000 92213-000
7	90027-000	CLIP MIRROR (1) 4 REQUIRED	LO-16 – LO-17	90027-000
8	90067-000	CATCH – DOOR	LO-16 – LO-17	90067-000
9	92175-000 92275-000	FINIAL GOLD WHITE	LO-16 LO-17	92175-000 92275-000
10	92172-000	LCNS	LO 16 LO 17	92172-000
11	92167-000 92273-000	FIXTURE L.H. ASSY. GOLD WHITE	LO-16 LO-17	92167-000 92273-000
12	92206-000	CONVENIENCE OUTLET	LO-16 – LO-17	92206-000
13	92205-000	SWITCH – PUSH	LO-16 – LO-17	92205-000
14	90555-000	CATCH BULLET	LO-16 – LO-17	90555-000
15	93152-000	OUTLET BOX	LO-16 – LO-17	93152-000
16	92217-000	BODY AND HINGE ASSEMBLY	LO-16 – LO-17	92217-206
		PLEASE SEE OTHER SIDE		

NuTone

Order Parts From:
Parts Department c/o NuTone
 P.O. Box 27 • Cincinnati, Ohio 45227

NOTE: Always order by
 current part number

PL-L016-L017

REF.	ORIGINAL PART NO	* PART DESCRIPTION	MODEL USED ON	CURRENT REPLACEMENT PART NO
17	93150-000 93151-000	WIRE COVER R.H. L.H.	LO-16 LO-17	93150-000 93151-000
18	92207-000	WIRE COVER SIDE L.H. or R.H.	LO-16 – LO-17	92207-000
19	17379-000	OUTLET BOX COVER	LO-16 – LO-17	17379-206
20	92174-000 92276-000	CUP – Top or Bottom GOLD WHITE	LO-16 LO-17	92174-000 92276-000
21	92166-000 92272-000	FIXTURE R.H. ASSY. GOLD WHITE	LO-16 LO-17	92166-000 92272-000
22	90010-000	HINGE PIN	LO-16 – LO-17	90010-000
23	92145-000	DOOR BACK & HINGE	LO-16 – LO-17	92145-206
24	90069-000	BUMPER (1) 2 REQUIRED	LO-16 – LO-17	90069-000
25	90016-000 90017-000	DOOR ASSEMBLY (REF. NO'S 1, 2, 23, & 24)	LO-16 LO-17	90016-000 90017-000
26	92264-000	TOOTH BRUSH HOLDER	LO-16 – LO-17	92264-000
27	92209-000	HARDWARE SET (REF. NO'S 3, 4, 5, & 26)	LO-16 – LO-17	92209-000