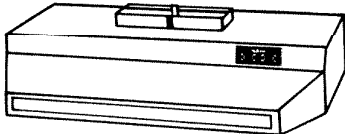


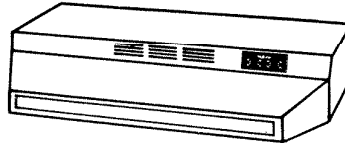
PARTS LIST

EFFECTIVE DATE	MODEL	PRODUCT GROUP
JAN. 1991	LL-6100, LL-6100N LL-6200, LL-6200N LL-6300, LL-6300N LL-6400 24", 30", 36", 42" NEW	HOOD

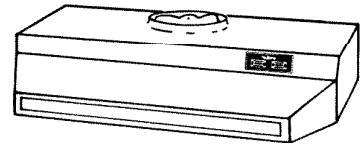
LL-6100
AL, CF, HW, WH, SS
LL-6100N
AL, CF, HW, WH, SS, WW



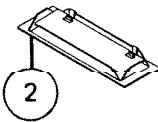
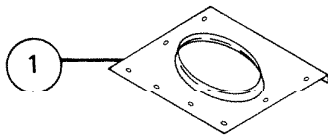
LL-6200
AL, CF, HW, WH, SS
LL-6200N
AL, CF, HW, WH, SS, WW



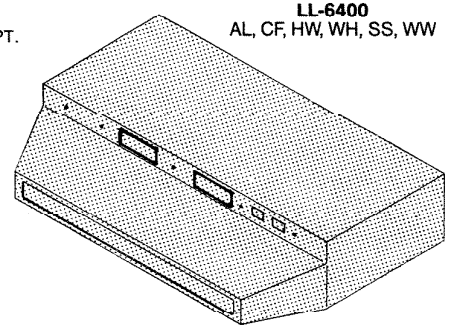
LL-6300
AL, CF, HW, WH, SS
LL-6300N
AL, CF, HW, WH, SS, WW



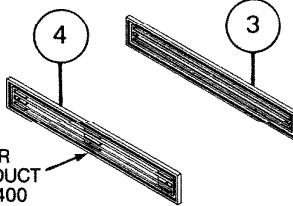
MODEL NUMBER is found on the data label located on the light housing.



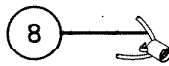
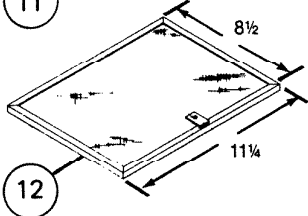
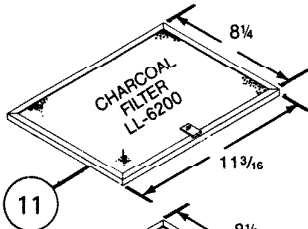
NOT A PARTS DEPT. STOCK ITEM



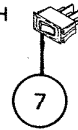
LL-6400
AL, CF, HW, WH, SS, WW



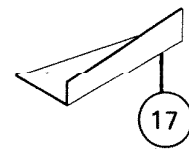
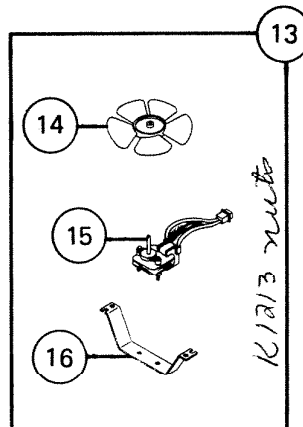
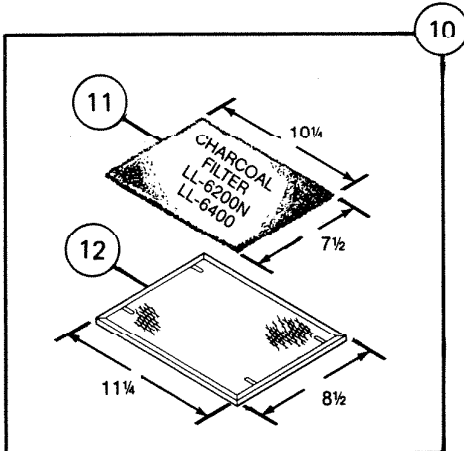
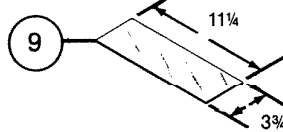
FOR NON-DUCT LL-6400



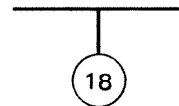
FAN SWITCH



LIGHT SWITCH



HARDWARE



NuTone

REF.	ORIGINAL PART NO.	*PART DESCRIPTION	MODEL USED ON	CURRENT REPLACEMENT PART NO.	
1	K4892	TRANSITION-7" Round	LL-6400 Series	K4892-000	
2	K1893	DUCT COLLAR ASSEMBLY-W/Damper	LL-6100 Series LL-6400 Series	K1893-000	
3	K4888	GRILLE PANEL (BLANK) <i>grille FK-64</i>	BLACK	LL-6400 Series	K9043-000
	K4889		WHITE		K9041-000
4	K3593	GRILLE PANEL (OPEN)-For Non-Duct	BLACK	LL-6400 Series LL-6200NSS	K9026-000
	K4386		WHITE	LL-6400	K9042-000
5	K1340	NAME PLATE	BLACK	LL-6100 Series LL-6200 Series LL-6300 Series	K1340-000
	K4890			LL-6400 Series	K4890-000
	K4736		WHITE	LL-6100 Series LL-6200 Series LL-6300 Series	K4736-000
	K4891			LL-6400 Series	K4891-000
6	K1347	LIGHT SWITCH-2 Pos.	BLACK		K1347-000
	K4735		WHITE	K4735-000
7	K1346	FAN SWITCH-3 Pos.	BLACK	ALL MODELS	K1346-000
	K4734		WHITE	K4734-000
8	K3848	LAMP SOCKET WIRE HARNESS			K3848-000
9	K1224	LAMP COVER-(Lens)			K1224-000
10	K3595	FILTER ASSEMBLY- Aluminum and Charcoal For Non-Duct	LL-6200N LL-6400		K3595-000
11	K0798	<i>Comb disposable filter K-5509</i> CHARCOAL FILTER -For Non-Duct	LL-6200		K0798-000
	K3597	<i>Charcoal filter -FK-64</i>	Pad LL-6200N LL-6400		K3565-000
12	K0793	ALUMINUM FILTER	LL-6100 Series LL-6200 LL-6300 Series		K0793-000
	K3596		LL-6200N LL-6400		K3596-000
13	K9021	POWER UNIT-Motor, Blade, Bracket	LL-6100 Series LL-6400 Series		K9021-000
	K9022		LL-6200 Series		K9022-000
	K9023		LL-6300 Series		K9023-000
14	K0784	FAN BLADE	LL-6100 Series LL-6300 Series LL-6400 Series		K0784-000
	K0783		LL-6200 Series		K0783-000

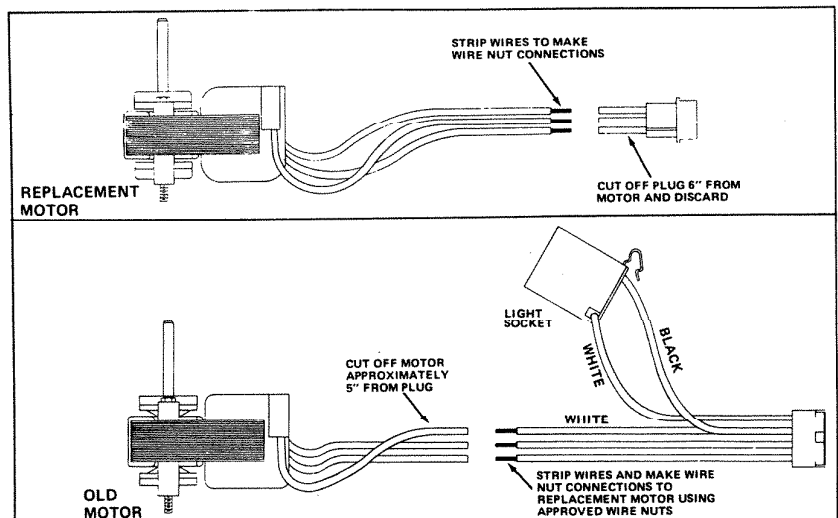
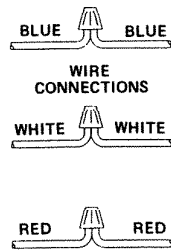
↑
NOTE: Always order by
current part number.

REF.	ORIGINAL PART NO.	*PART DESCRIPTION		MODEL USED ON	CURRENT REPLACEMENT PART NO.	
15	K1166	MOTOR—See NOTE*		LL-6100	K3598-000	
	K3598			LL-6100N LL 6400		
	K1172			LL-6200	K3599-000	
	K3599			LL-6200N		
	K1341			LL-6300	K3600-000	
	K3600			LL-6300N		
16	K0595	BRACKET—Motor	ALL..... MODELS	K0595-000	
17	K0740	ELECTRICAL COVER			K0740-000	
18	K0177	HARDWARE	Hood Mounting	(4) #8 x 3/8 PH. TRUSS HD. "A"	LL-6100 Series LL-6200 Series LL-6300 Series	K0177-000
	K0178		Duct Collar	(2) #6 x 3/8 SLT. HEX WASH/HD. "B"	LL-6100 Series	K0178-000
	K4894		Duct Collar 7" Transition Hood Mounting	(2) #6 x 3/8 SLT. HEX WASH/HD. "B" (8) #8 x 3/8 PH. HEX WASH/HD. "A" (4) #8 x 3/8 PH. TRUSS HD. "A"	LL-6400 Series	K4894-000
*	K9049	7" DAMPER ASSY.—Not Shown		LL-6300N "D" Series	K9049-000	

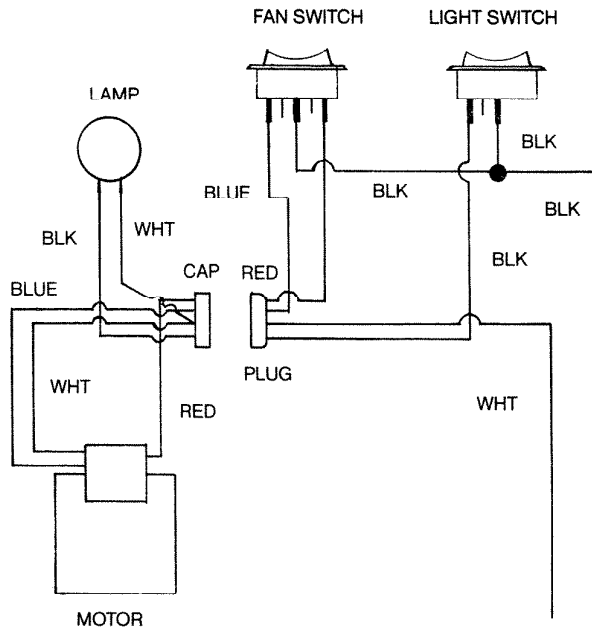
NOTE*: Motors on hood models LL-6100, LL-6200 and LL-6300 have the lamp socket wired with the motor. When replacing the motor follow the installation instructions below.

NOTE: Always order by current part number.

K 9049 model 2025 damper



WIRING DIA. FOR MODELS LL-6100, LL-6200 AND LL-6300



WIRING DIA. FOR MODELS LL-6100N, LL-6200N, LL-6300N AND LL-6400

