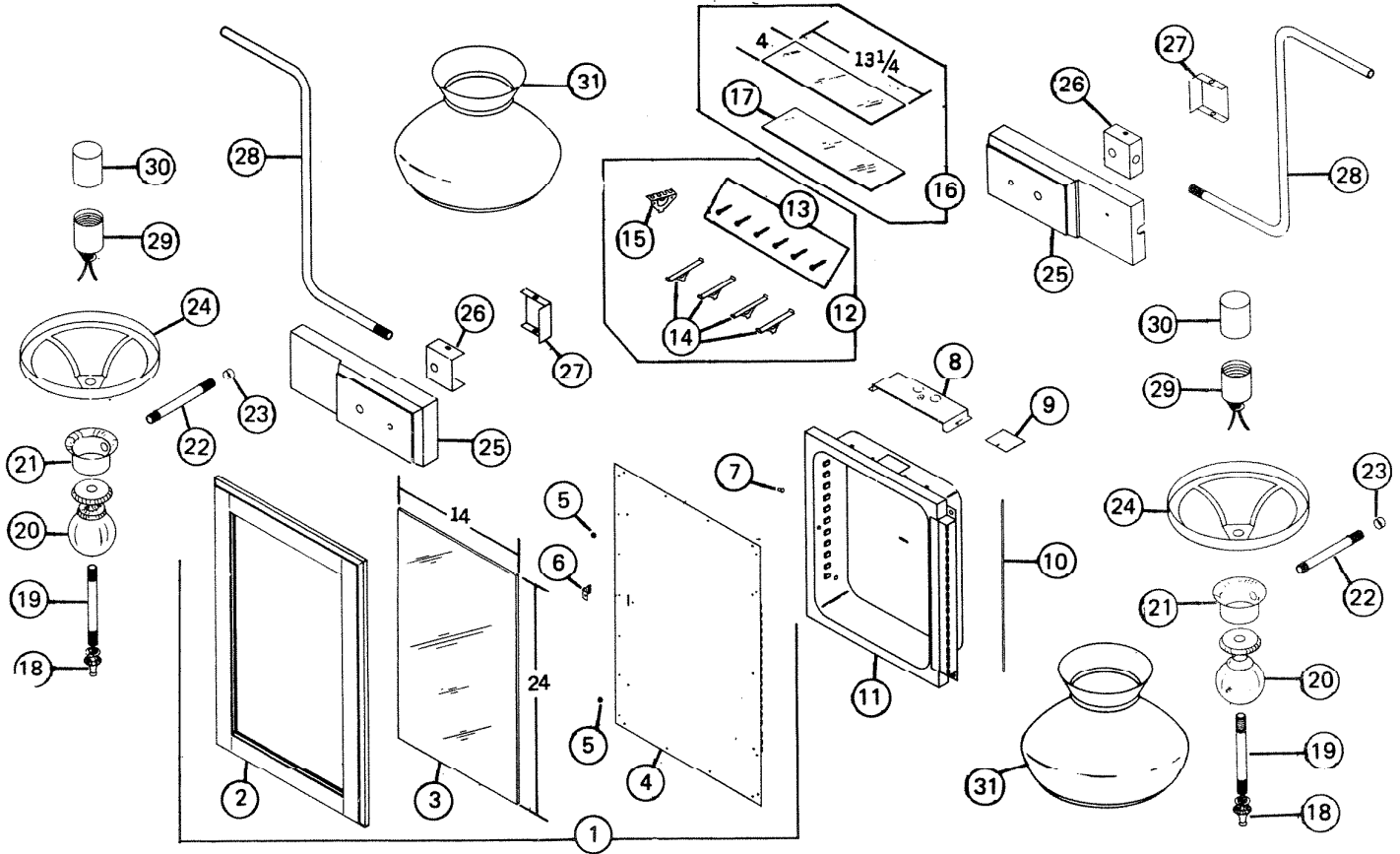


PARTS LIST

EFFECTIVE DATE	MODEL	PRODUCT GROUP
MAY 1979	LD-103 NEW	BATH CABINET



REF.	ORIGINAL PART NO.	* PART DESCRIPTION	MODEL USED ON	CURRENT REPLACEMENT PART NO.
1	94734	DOOR ASSY COMP.	LD-103	94734-000
	94735		LD-104	94735-000
2	94678	FRAME	LD-103	94678-A03
	94678		LD-104	94678-A01
3	94850	MIRROR. NOTE: MAY BE PURCHASED FROM LOCAL GLASS SHOP. SIZE: 14" X 24"	LD-103 LD-104	94850-000
4	94026	DOOR BACK & HINGE ASSY	LD-103 LD-104	94026-206
5	90069	BUMPER	LD-103 LD-104	2093A-000
6	90067	CATCH - DOOR	LD-103 LD-104	90067-000
7	90555	CATCH - BULLET	LD-103 LD-104	90555-000
(PLEASE SEE OTHER SIDE)				

NuTone

REF.	ORIGINAL PART NO.	* PART DESCRIPTION		MODEL USED ON	CURRENT REPLACEMENT PART NO.
8	94940	JUNCTION BOX ASSEMBLY		LD-103 LD-104	94940-000
9	17379	JUNCTION BOX COVER		LD-103 LD-104	17379-206
10	90075	HINGE PIN		LD-103 LD-104	90075-000
11	94936	BODY ASSY		LD-103 LD-104	94936-000
12	90141	HARDWARE SET		LD-103 LD-104	90141-000
13	69781	MOUNTING SCREW SET		LD-103 LD-104	69781-000
14	90039	SHELF SUPPORT (1)		LD-103 LD-104	90039-000
15	92264	TOOTHBRUSH HOLDER		LD-103 LD-104	92264-000
16	90042	SHELF/BUNDLE	BUNDLE	LD-103 LD-104	90042-000
17	90743		ONE	LD-103 LD-104	90743-000
18	H0854	FINIAL		LD-103 LD-104	H0854-000
19	H0851	PIPE		LD-103 LD-104	H0851-000
20	H0852	ARM SPINDLE		LD-103	H0852-H16
	H1053			LD-104	H1053-000
21	H0844	CUP		LD-103 LD-104	H0844-HAB
22	H0845	ARM PIPE		LD-103 LD-104	H0845-HAB
23	H0796	SPACER		LD-103 LD-104	H0796-000
24	H0849	SHADE RING		LD-103 LD-104	H0849-HAB
25	H0792	BACK PLATE		LD-103	H0792-000
	H0793			LD-104	H0793-000
26	H0795	FIXTURE BOX		LD-103 LD-104	H0795-000
27	H0798	FIXTURE BOX COVER		LD-103 LD-104	H0798-000
28	H0797	WIRING TUBE L.H. OR R.H.		LD-103 LD-104	H0797-015
29	H0829	LAMP SOCKET		LD-103 LD-104	H0829-000
30	H0858	CANDLESTICK		LD-103 LD-104	H0858-000
31	H0859	SHADE		LD-103 LD-104	H0859-000