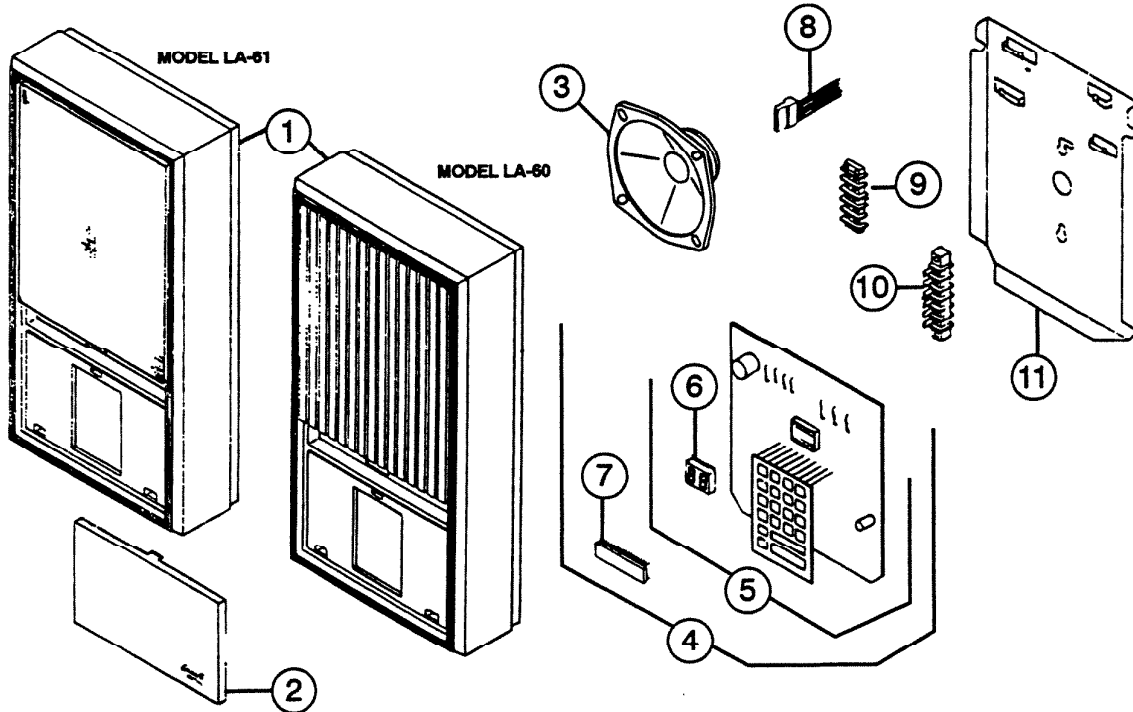


PARTS LIST

EFFECTIVE DATE	MODEL NUMBER	PRODUCT GROUP
OCTOBER 1994	LA-60, LA-61 REVISD	CHIME



REF.	ORIGINAL PART NO.	*PART DESCRIPTION	MODEL USED ON	CURRENT REPLACEMENT PART NO.
1	42627	CHIME COVER ASSEMBLY	LA-60	Void - not avail.
	42666		LA-61	
2	42756	DOOR ASSEMBLY WITH SONG BOOK <i>LA-60</i>	LA-60, LA-61	1938A-000
3	36115	SPEAKER	LA-60, LA-61	36115-000
4	1149A	P.C. BOARD ASSEMBLY - Complete	LA-60, LA-61	1149A-000
5	1145A	P.C. BOARD ASSEMBLY - Less Microprocessor	LA-60, LA-61	1145AREB
6	36726	NUMERICAL DISPLAY	LA-60, LA-61	Void - not avail.
7	36725	MICROPROCESSOR	LA-60, LA-61	36756-000
8	42635	SOCKET ASSEMBLY	LA-60, LA-61	42635-000
9	35265	TERMINAL STRIP - 5 Line	LA-60, LA-61	35265-000
10	35327	TERMINAL STRIP - 6 Line	LA-60, LA-61	35327-000
11	35258	BASE	LA-60, LA-61	35258-005

NuTone

NuTone
 Attn: Parts Department
 Madison & Red Bank Rds.
 Cincinnati, OH 45227-1599
 Phone: (513) 527-5426
 Fax: (513) 527-5173

NOTE: Always order by
 current part number