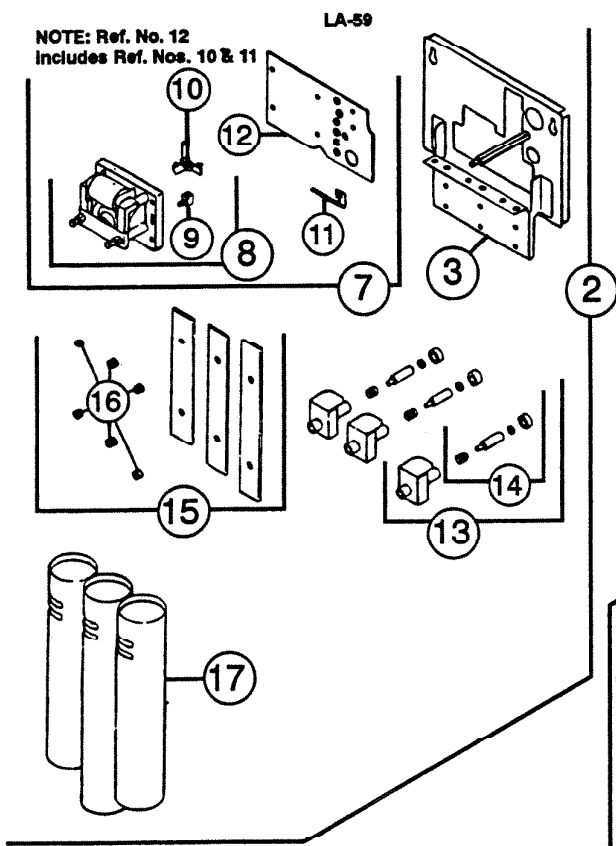
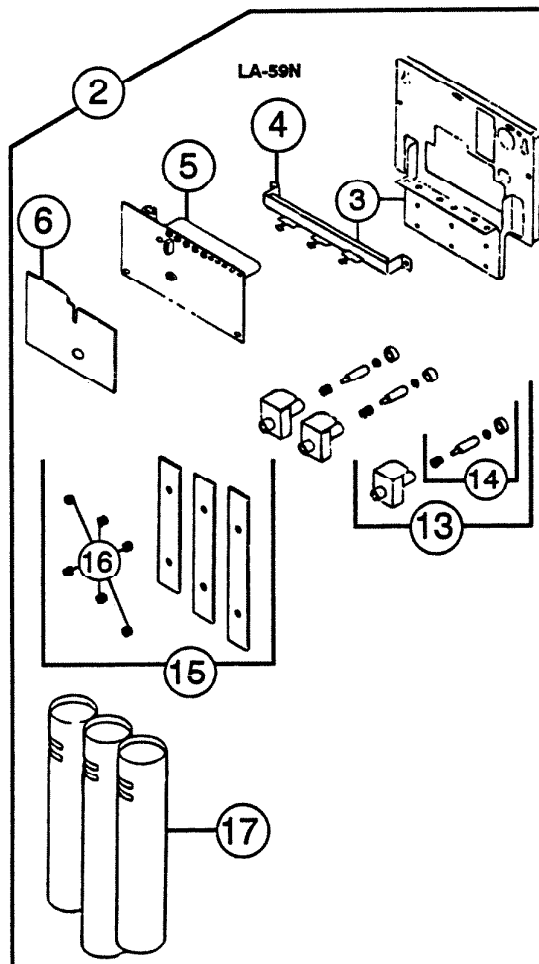


# PARTS LIST

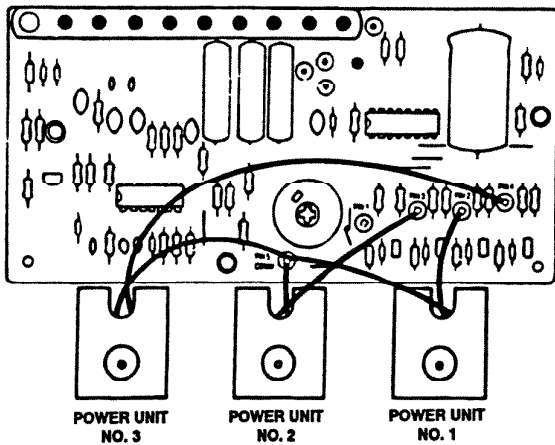
EFFECTIVE DATE	MODEL NUMBER	PRODUCT GROUP
OCTOBER 1994	LA-59, LA-59N REVISED	CHIME



LA-59, LA-59N chimes use transformer  
Model 105-T (16 Volt, 15 Watt)



WIRING DIA. FOR TERMINAL BOARD ASSEMBLY P/N 1939A-000  
LA-59N  
Rear View



# NuTone

NuTone  
Attn: Parts Department  
Madison & Red Bank Rds.  
Cincinnati, OH 45227-1599  
Phone: (513) 527-5426  
Fax: (513) 527-5173

REF.	ORIGINAL PART NO.	*PART DESCRIPTION	MODEL USED ON	CURRENT REPLACEMENT PART NO.
1	56790	COVER ASSEMBLY – Complete	LA-59	30725-000
	30725		LA-59N	
2	53136	MECHANISM ASSEMBLY	LA-59	30709-000
	30709		LA-59N	
3	64166	BASE PLATE ASSEMBLY	LA-59	Void - not avail.
	30710		LA-59N	30710-005
4	07033	BRACKET	LA-59N	07033-000
5	30714	TERMINAL BOARD ASSY w/Wiring Dia.	LA-59N	1939A-REB
6	37989	INFORMATION CARD	LA-59N	1957A-000
7	69684	P.C. BOARD & MOTOR ASSEMBLY	LA-59N	Void - not avail. 30709-000 will sub.
8	64171	MOTOR MECHANISM ASSEMBLY	LA-59N	Void - not avail. 30709-000 will sub.
9	69543	SLIDE SWITCH ASSEMBLY	LA-59	69543-000
10	64173	ROTOR ASSEMBLY	LA-59	Void - not avail.
11	65697	STARTING CONTACT	LA-58	65697-051
12	49707	P.C. BOARD ASSEMBLY w/starting Contact and Rotor Assy	LA-59	Void - not avail. 30709-000 Will Sub.
13	08136	POWER UNIT ASSEMBLY (1) – 3 Required	LA-59, LA-59N	08135-000
14	69677	PLUNGER SET – 4	LA-59, LA-59N	69581-000
15	07158	REED SET	LA-59, LA-59N	07158-000
16	69697	GROMMET SET – 6	LA-59, LA-59N	69691-000
17	69578	RESONATOR TUBE ASSEMBLY – Gold	LA-59, LA-59N	69578-000
--	65364	ENVELOPE ASSEMBLY (Mtg. Screws)	LA-59, LA-59N	65364-000

↑

**NOTE: Always order by  
current part number**