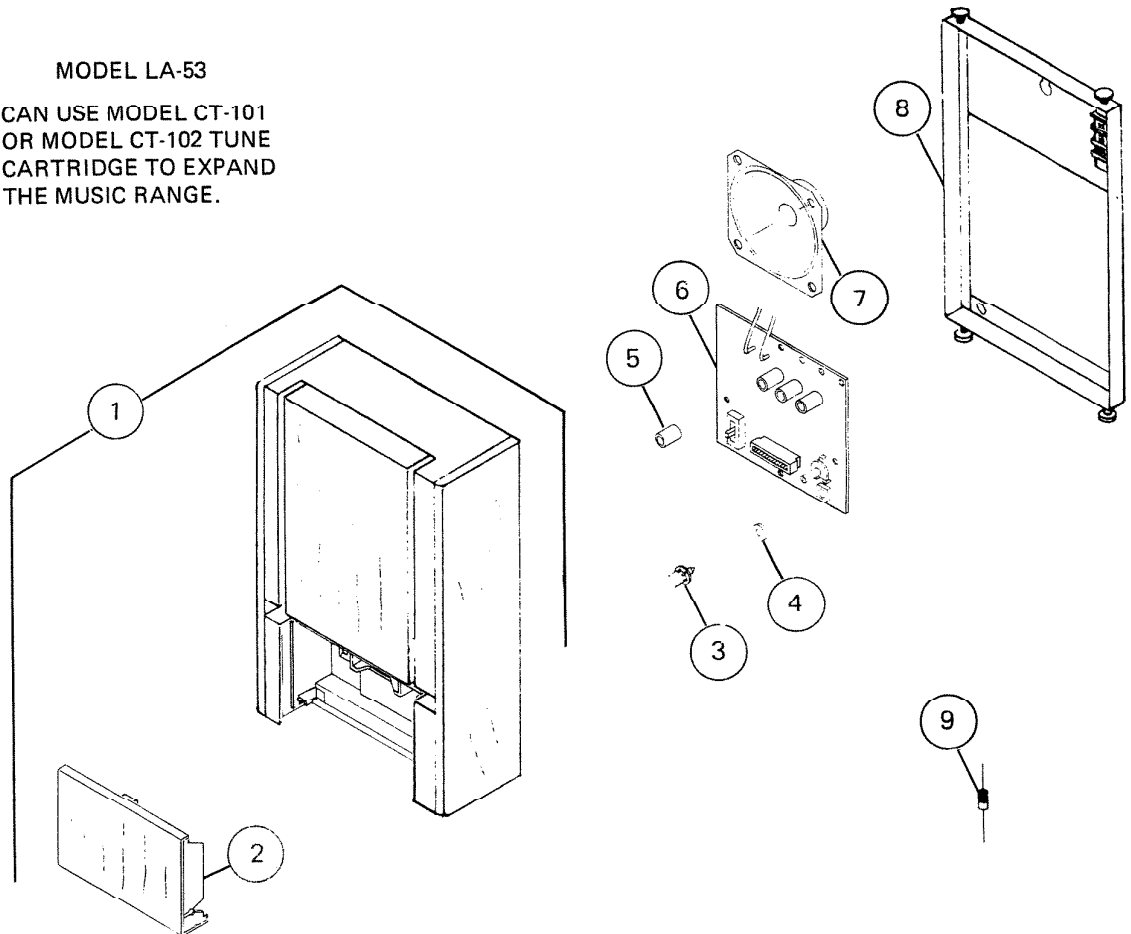


PARTS LIST

EFFECTIVE DATE	MODEL	PRODUCT GROUP
	MAY 1989	LA-53 REVISED

MODEL LA-53
 CAN USE MODEL CT-101
 OR MODEL CT-102 TUNE
 CARTRIDGE TO EXPAND
 THE MUSIC RANGE.



REF. NO.	ORIGINAL PART NO.	PART DESCRIPTION	CURRENT REPLACEMENT PART NO.
1	8868A	COVER ASSEMBLY COMPLETE	8868A-000
2	8871A	DOOR ASSEMBLY	8871A-000
3	35308	PUSHBUTTON	35308-000
4	67274	RUBBER BUMPER	67274-000
5	8856A	SPACER	8856A-000
6	8857A	PC BOARD ASSEMBLY	8857A-000
7	36076	SPEAKER	36076-000
8	8867A	CHIME BASE ASSEMBLY COMPLETE	8867A-000
9	36723	DIODE — for pushbutton — 1N4002	36549-000

↑
NOTE: Always order by current part number.