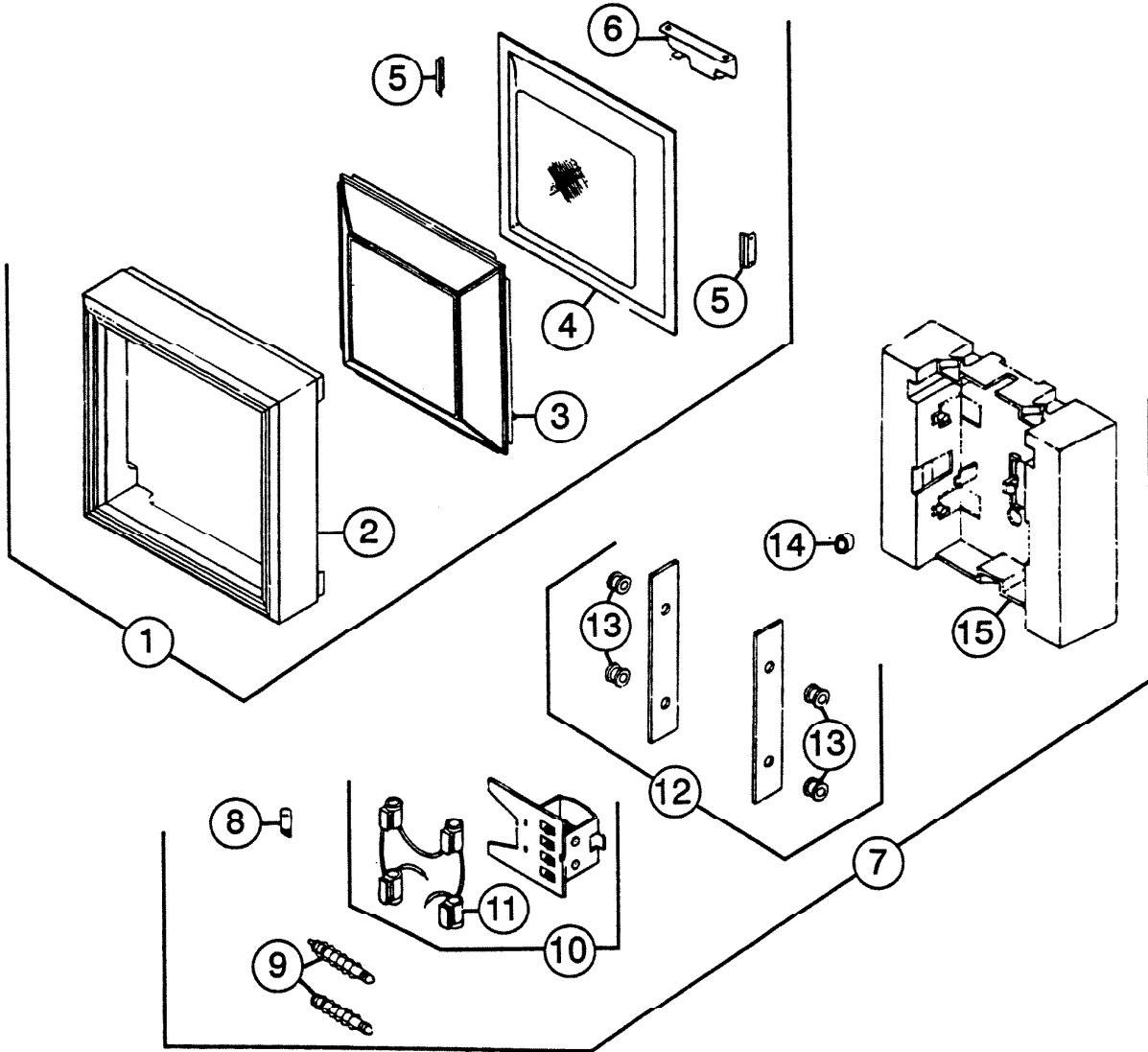


PARTS LIST

EFFECTIVE DATE	MODEL NUMBER	PRODUCT GROUP
AUGUST 1994	LA-41 REVISED	CHIME



REF.	ORIGINAL PART NO.	*PART DESCRIPTION	MODEL USED ON	CURRENT REPLACEMENT PART NO.
1	52601	FRAME & COVER ASSEMBLY	HONEY OAK	Void - not avail.
	52602		DARK OAK	Void - not avail.
2	52603	FRAME ASSEMBLY	HONEY OAK	Void - not avail.
			DARK OAK	Void - not avail.
(PLEASE SEE OTHER SIDE)				

NuTone

NuTone
 Attn: Parts Department
 Madison & Red Bank Rds.
 Cincinnati, OH 45227-1599
 Phone: (513) 527-5426
 Fax: (513) 527-5173

NOTE: Always order by current part number

REF.	ORIGINAL PART NO.	*PART DESCRIPTION	MODEL USED ON	CURRENT REPLACEMENT PART NO.
3	52606	COVER	LA-41	Void - not avail.
	52607			SMOKED GLASS
4	52608	LIGHT DIFFUSER LENS	LA-41	Void - not avail.
5	05812	COVER BRACKET - 2 REQUIRED	LA-41	53996-015
6	52609	COVER MOUNTING BRACKET	LA-41	52609-015
7	66866	MECHANISM ASSEMBLY	LA-41	Void - not avail.
8	39330	LAMP	LA-41	39330-000
9	69699	PLUNGER SET - 1 DOUBLE, 1 SINGLE	LA-41	69699-000
10	51939	POWER UNIT ASSEMBLY	LA-41	Void - not avail.
11	51933	LAMP SOCKET HOUSING & WIRE ASSEMBLY	LA-41	Void - not avail.
12	69666	REED SET WITH GROMMETS	LA-41	69666-000
13	69683	GROMMET SET - 6	LA-41	69683-000
14	67274	RUBBER BUMPER	LA-41	67274-000
15	66439	BASEPLATE ASSEMBLY	LA-41	66439-000
-	65364	ENVELOPE ASSEMBLY (Mtg. Screws)	LA-41	65364-000