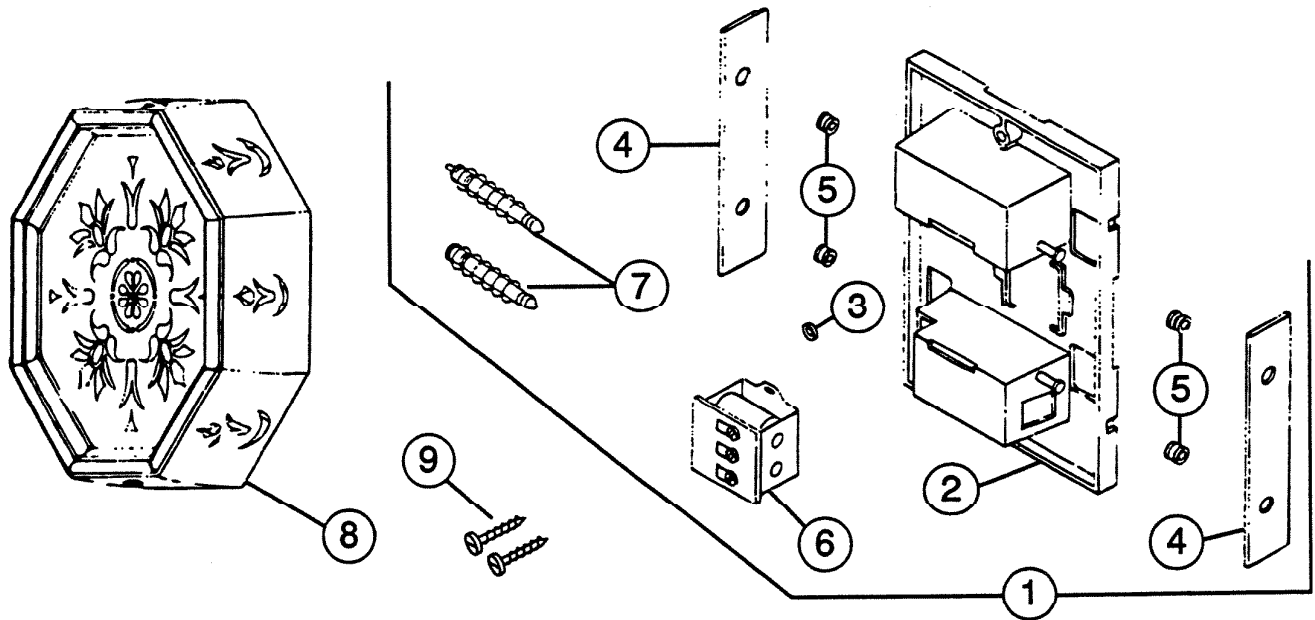


# PARTS LIST

EFFECTIVE DATE	MODEL NUMBER	PRODUCT GROUP
AUGUST 1994	LA-37 REVISED	CHIME



REF.	ORIGINAL PART NO.	*PART DESCRIPTION	MODEL USED ON	CURRENT REPLACEMENT PART NO.	
1	64558	MECHANISM ASSEMBLY	LA-37	63560-000	
2	63561	BASE ONLY	LA-37	63561-000	
3	1667	BUMPER	LA-37	67274-000	
4	69669	REED SET - 2 WITH GROMMET	LA-37	69669-000	
5	69683	GROMMET SET	LA-37	69683-000	
6	63562	POWER UNIT ONLY	LA-37	1133A-000	
7	69550	PLUNGER SET - 1 - FRONT - DOUBLE 1 - REAR - SINGLE	LA-37	69550-000	
8	66893	COVER COMP.	WHITE	LA-37	Void - not avail.
	66894		CREAM	LA-37	Void - not avail.
9	65364	ENVELOPE ASSEMBLY (Mtg. Screws)	LA-37	65364-000	

# NuTone

NuTone  
 Attn: Parts Department  
 Madison & Red Bank Rds.  
 Cincinnati, OH 45227-1599  
 Phone: (513) 527-5426  
 Fax: (513) 527-5173

↑

**NOTE: Always order by current part number**