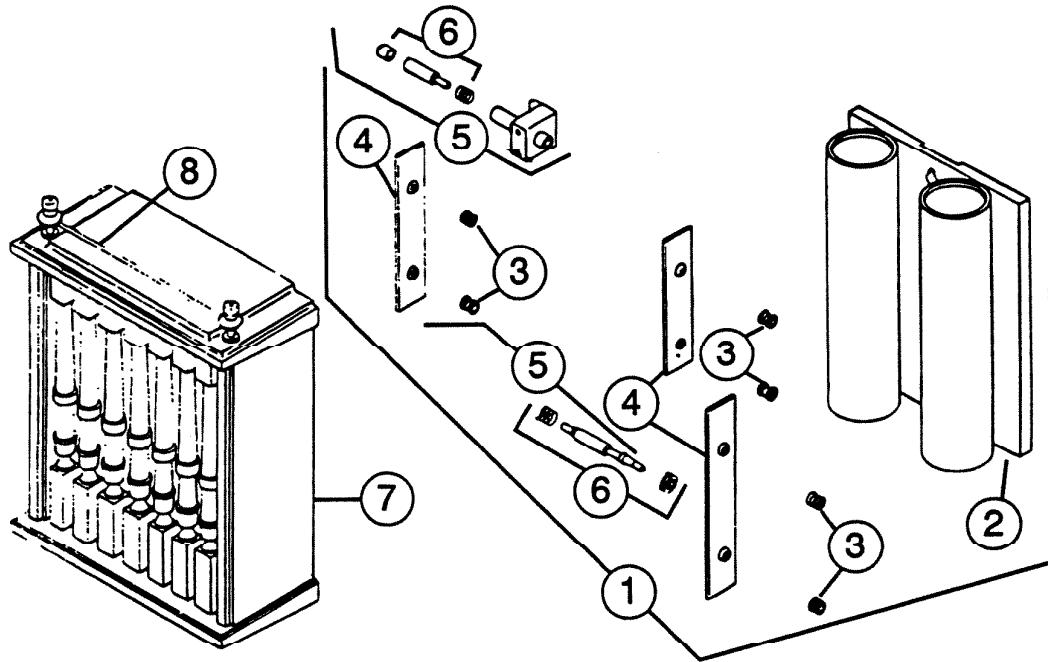


# PARTS LIST

EFFECTIVE DATE	MODEL NUMBER	PRODUCT GROUP
AUGUST 1994	LA-36 REVISED	CHIME



REF.	ORIGINAL PART NO.	*PART DESCRIPTION	MODEL USED ON	CURRENT REPLACEMENT PART NO.	
1	05802	MECH. ASSEMBLY COMP	LA-36	63851-000	
2	69567	BASEPLATE WITH RESONATORS	LA-36	Void - not avail.	
3	69697	GROMMET SET - 6	LA-36	69691-000	
4	03496	REED SET - 3	LA-36	03496-000	
5	08135	POWER UNIT W/PLUNGER	SINGLE TOP	LA-36	08135-000
	05847		DOUBLE BOTTOM	LA-36	05847-000
6	69696	PLUNGER SET	LA-36	69696-000	
7	65346	COVER ASSEMBLY COMP	WALNUT	LA-36	Void - not avail.
	65347		WHITE ANT.	LA-36	Void - not avail.
8	65352	ROD	LA-36	Void - not avail.	

# NuTone

NuTone  
 Attn: Parts Department  
 Madison & Red Bank Rds.  
 Cincinnati, OH 45227-1599  
 Phone: (513) 527-5426  
 Fax: (513) 527-5173

↑

**NOTE: Always order by current part number**