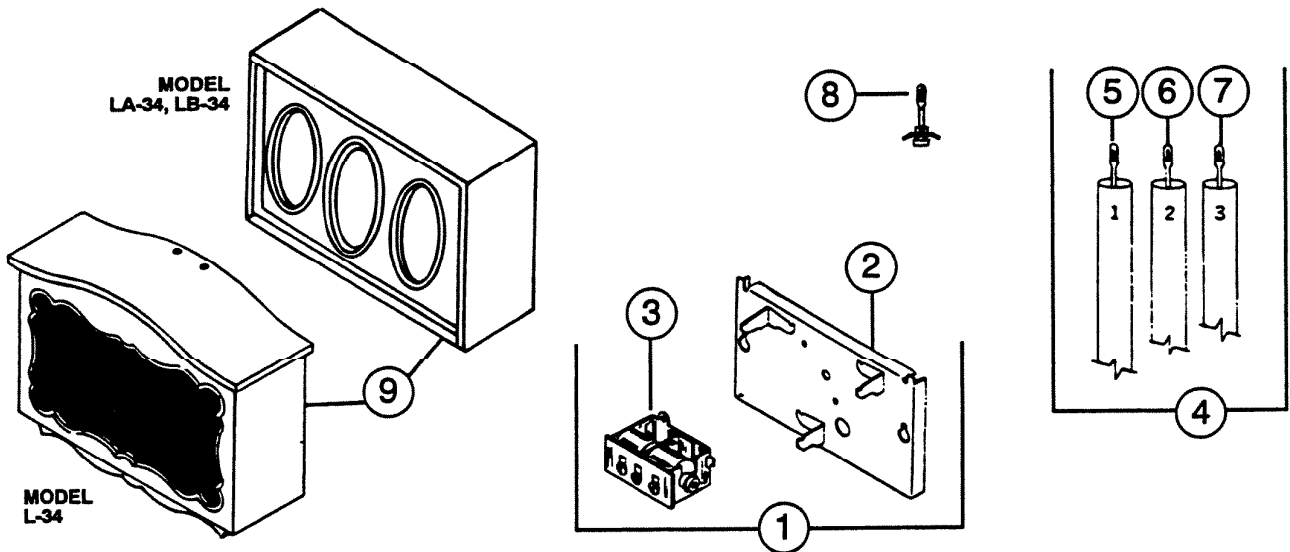


# PARTS LIST

EFFECTIVE DATE	MODEL NUMBER	PRODUCT GROUP
SEPTEMBER 1994	L-34, LA-34, LB-34 REVISED	CHIME



REF.	ORIGINAL PART NO.	*PART DESCRIPTION	MODEL USED ON	CURRENT REPLACEMENT PART NO.
1	2654	MECHANISMS	All Models	02654-000
2	2144	BASEPLATE	All Models	02144-005
3	1849	DUPLEX POWER UNIT	All Models	01849-000
4	3574	TUBE SET	L-34	H9908-000
	3498		LA-34	
	66336		LB-34	
5	5739	TUBE NO. 1 WITH HANGER	L-34, LA-34	H9858-000
	66333		LB-34	
6	5512	TUBE NO. 2 WITH HANGER	L-34, LA-34	H9860-000
	66334		LB-34	
7	5738	TUBE NO. 3 WITH HANGER	L-34, LA-34	H9860-000
	66335		LB-34	
8	5749	TUBE HANGER	All Models	69533-000
9	9018	COVER ASSEMBLY	All Models	Void - not avail.
	9019			
	0891			
10	65364	MOUNTING SCREWS - 2 - #8 x 1/4" (May be purchased locally)	All Models	65364-000

# NuTone

NuTone  
 Attn: Parts Department  
 Madison & Red Bank Rds.  
 Cincinnati, OH 45227-1599  
 Phone: (513) 527-5426  
 Fax: (513) 527-5173

NOTE: Always order by  
 current part number