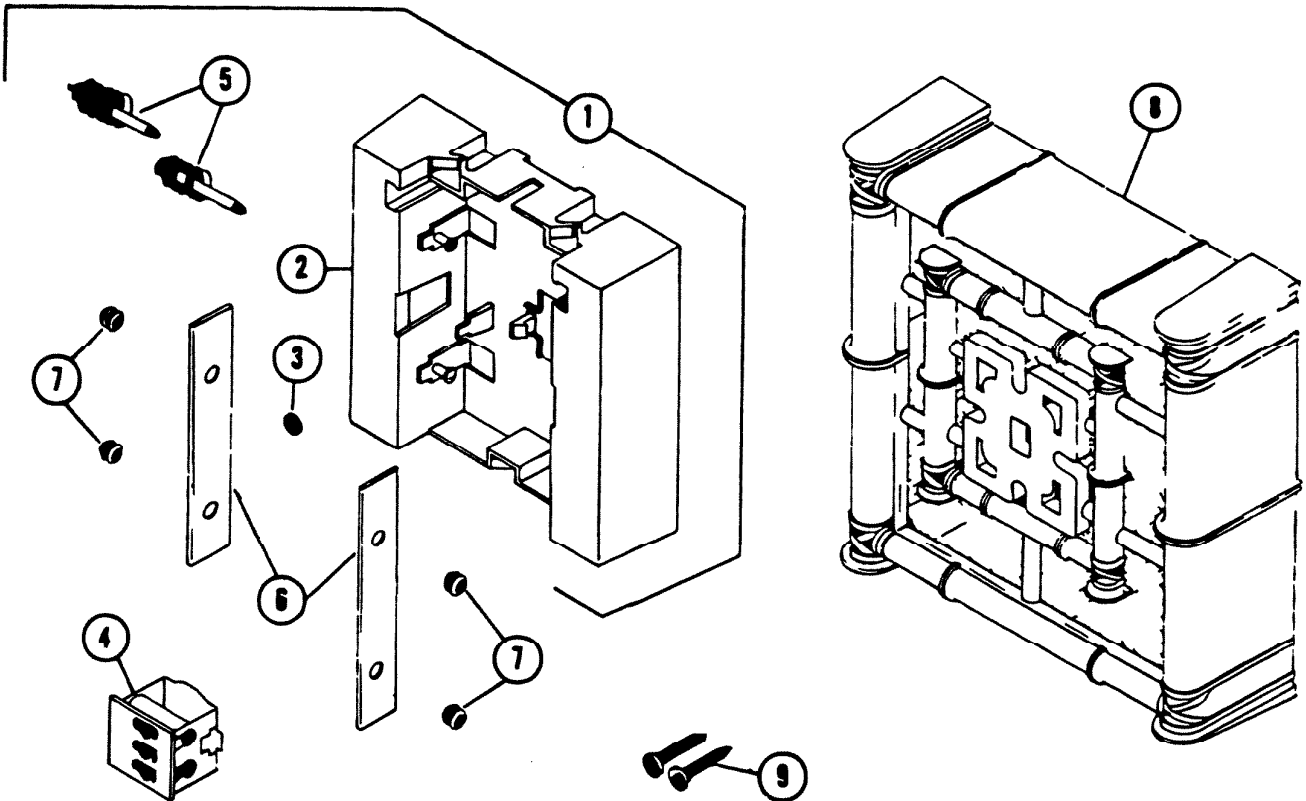


PARTS LIST

EFFECTIVE DATE	MODEL NUMBER	PRODUCT GROUP
AUGUST 1994	LA-31, LB-31 REVISD	CHIME



REF.	ORIGINAL PART NO.	*PART DESCRIPTION	MODEL USED ON	CURRENT REPLACEMENT PART NO.				
1	65272	MECHANISM ASSY	LA-31, LB-31	65272-000				
2	65264	BASEPLATE ASSY	LA-31, LB-31	66439-000				
3	1667	BUMPER	LA-31, LB-31	67274-000				
4	63562	POWER UNIT WITH PLUNGERS	LA-31, LB-31	1133A-000				
5	69550	PLUNGER SET	LA-31, LB-31	69550-000				
		<table border="0"> <tr> <td style="font-size: 2em; vertical-align: middle;">}</td> <td>1 - FRONT DOUBLE</td> </tr> <tr> <td style="font-size: 2em; vertical-align: middle;">}</td> <td>1 - REAR SINGLE</td> </tr> </table>	}	1 - FRONT DOUBLE	}	1 - REAR SINGLE		
}	1 - FRONT DOUBLE							
}	1 - REAR SINGLE							
6	1100A	REED SET - 2	LA-31, LB-31	1100A-000				
7	69683	GROMMET SET - 6	LA-31, LB-31	69683-000				
8	66860	COVER - COMPLETE	ANTIQUE BAMBOO	LA-31	67153-000			
	66861		JADE GREEN	LA-31	Void - not avail.			
	68226		ANTIQUE BAMBOO	LB-31	67153-000			
	68218		WHITE	LB-31	54738-000			
9	65364	ENVELOPE ASSY	LA-31, LB-31	65364-000				

NuTone

NuTone
 Attn: Parts Department
 Madison & Red Bank Rds.
 Cincinnati, OH 45227-1599
 Phone: (513) 527-5426
 Fax: (513) 527-5173

NOTE: Always order by current part number