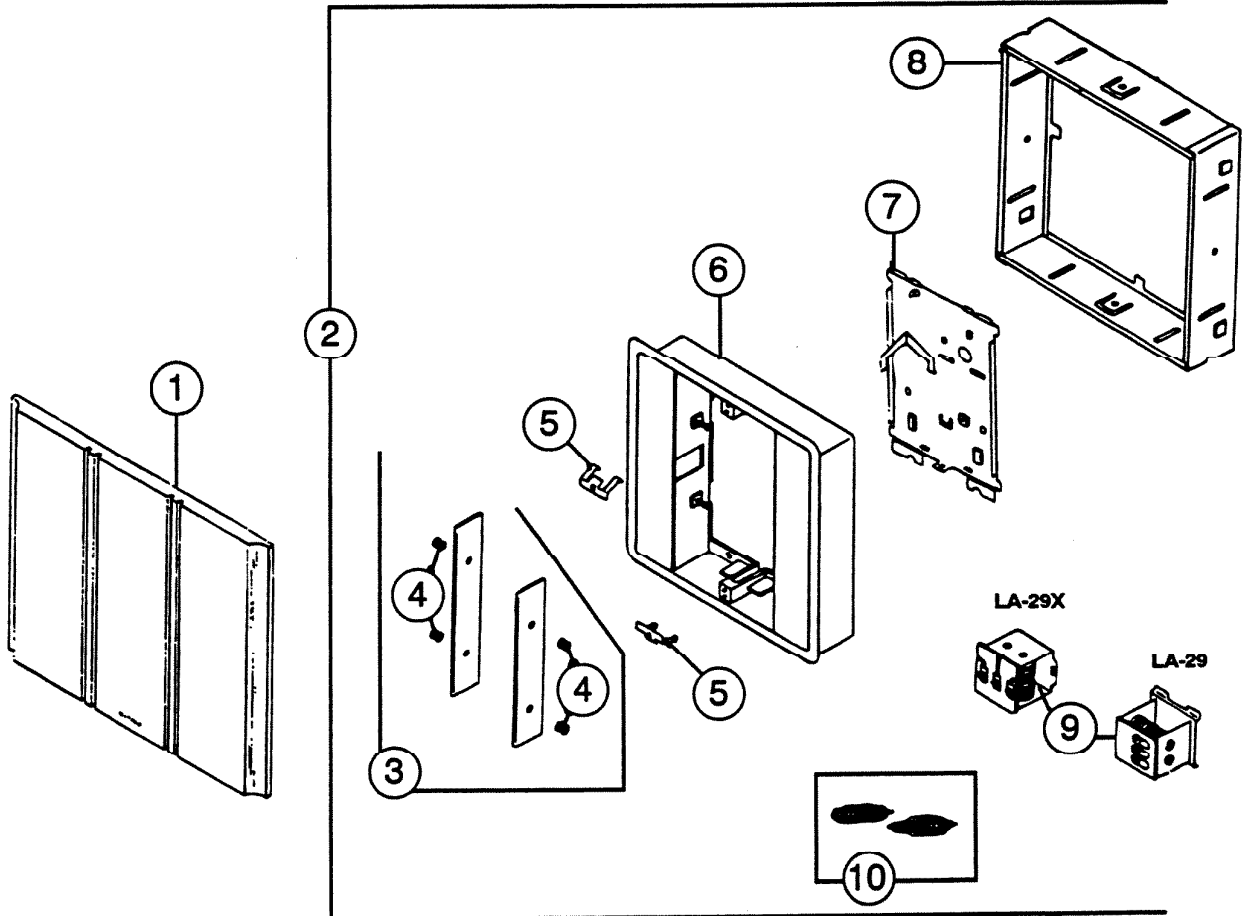


PARTS LIST

EFFECTIVE DATE	MODEL NUMBER	PRODUCT GROUP
SEPTEMBER 1994	LA-29, LA-29X REVISED	CHIME



REF.	ORIGINAL PART NO.	*PART DESCRIPTION	MODEL USED ON	CURRENT REPLACEMENT PART NO.
1	03099	COVER	All Models	03099-000
2	03094	MECHANISM ASSEMBLY	All Models	Void - not avail.
	09991			
3	69666	REED SET WITH GROMMETS	All Models	69666-000
4	07072	GREOMMET SET - 6	All Models	69683-000
5	03098	COVER MOUNTING BRACKET SET - 2	All Models	Void - not avail.
6	03095	BASEPLATE ASSEMBLY	All Models	Void - not avail.

(PLEASE SEE OTHER SIDE)

NuTone

NuTone
 Attn: Parts Department
 Madison & Red Bank Rds.
 Cincinnati, OH 45227-1599
 Phone: (513) 527-5426
 Fax: (513) 527-5173

NOTE: Always order by current part number

REF.	ORIGINAL PART NO.	*PART DESCRIPTION	MODEL USED ON	CURRENT REPLACEMENT PART NO.
7	09486	SUB BASE	All Models	Void - not avail.
	09992			
8	09832	"A" BOX ASSEMBLY	All Models	Void - not avail.
9	05917	POWER UNIT ASSEMBLY	All Models	Void - not avail.
	63598			63598-000
10	69665	PLUNGER SET	All Models	69550-000

↑

NOTE: Always order by current part number