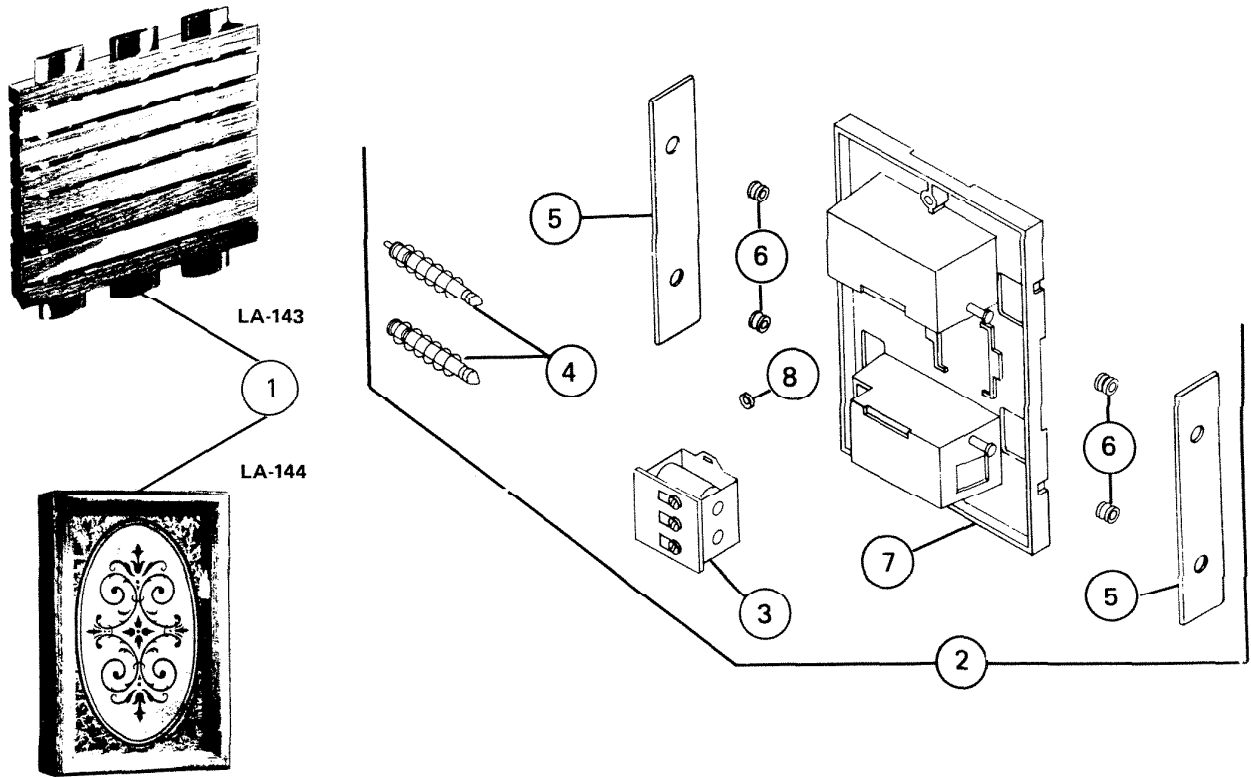


PARTS LIST

EFFECTIVE DATE	MODEL	PRODUCT GROUP
JUNE 1988	LA-143/LA-144 NEW	CHIME

VERTICAL MECHANISM SHOWN;
ALSO USED HORIZONTALLY.



REF.	ORIGINAL PART NO.	* PART DESCRIPTION	MODEL USED ON	CURRENT REPLACEMENT PART NO.
1	34883	COVER ASSEMBLY COMPLETE	LA-143	34883-000
	34872		LA-144	34872-000
2	63560	MECHANISM ASSEMBLY	LA-143/LA-144	53040-000
3	63562	POWER UNIT ASSEMBLY	LA-143/LA-144	63562-000
4	69550	PLUNGER SET	LA-143/LA-144	69550-000
5	69669	REED SET W/GROMMETS	LA-143/LA-144	69669-000
6	69683	GROMMET SET (6)	LA-143/LA-144	69683-000
7	63561	BASE	LA-143/LA-144	63561-000
8	67274	RUBBER BUMPER	LA-143/LA-144	67274-000