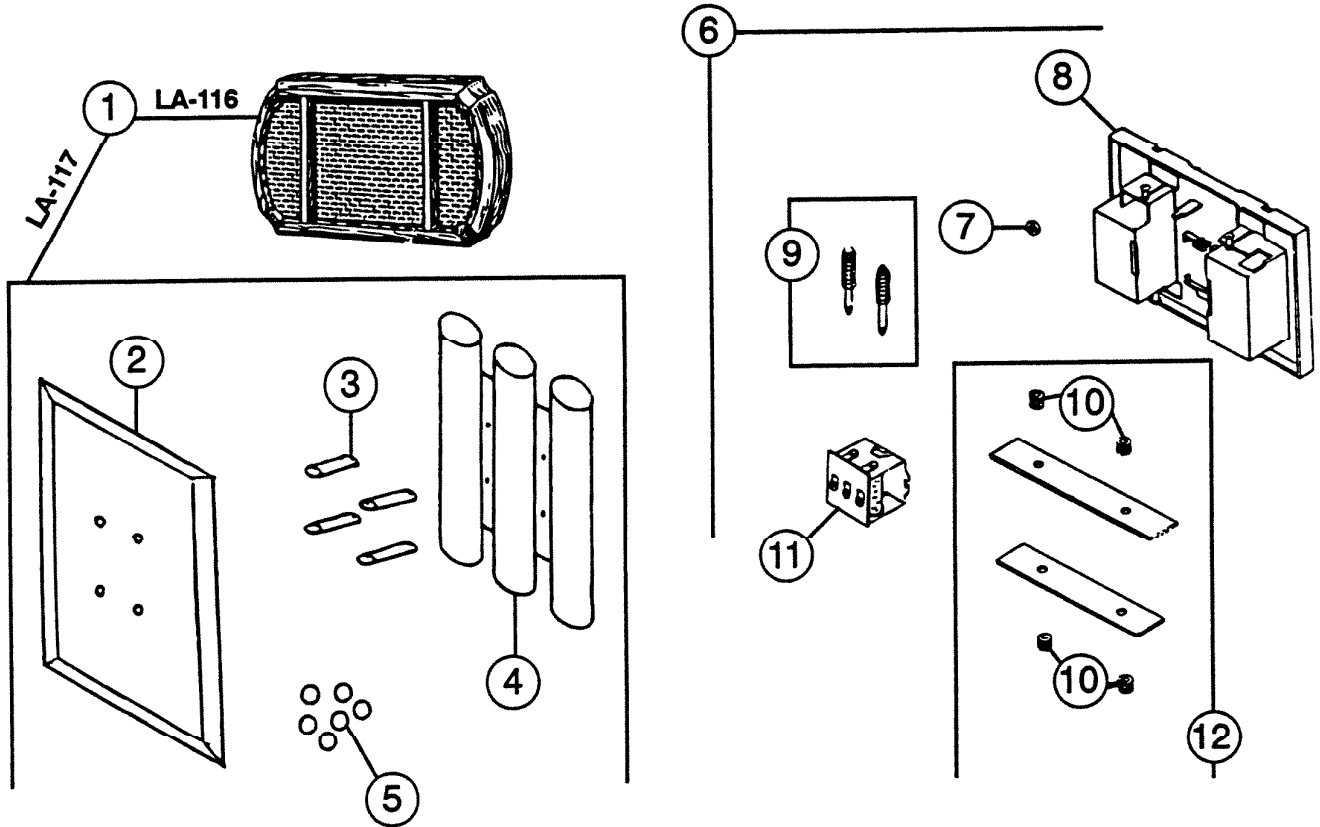


PARTS LIST

EFFECTIVE DATE	MODEL NUMBER	PRODUCT GROUP
AUGUST 1994	LA-116BO, LA-116DO, LA-116LO, LA-116WH, LA-117 REVISED	CHIME



REF.	ORIGINAL PART NO.	*PART DESCRIPTION	MODEL USED ON	CURRENT REPLACEMENT PART NO.	
1	34248	COVER ASSEMBLY	WHITE	LA-116NWH	36374-000
			BLEACHED OAK	LA-116	30828-000
			DARK OAK	LA-116	34248-000
			LIGHT OAK	LA-116	34249-000
	34236		LA-117	34236-000	
2	34242	BEVELED GLASS FRONT	LA-117	34242-000	
3	34243	SPACER - 4	LA-117	1225A-000	
4	1120A	BACK COVER ASSEMBLY	LA-117	1220A-000	
5	34233	KNOB - BRASS - 6	LA-117	1226A-000	
(PLEASE SEE OTHER SIDE)					

NuTone

NuTone
 Attn: Parts Department
 Madison & Red Bank Rds.
 Cincinnati, OH 45227-1599
 Phone: (513) 527-5426
 Fax: (513) 527-5173

NOTE: Always order by current part number

REF.	ORIGINAL PART NO.	*PART DESCRIPTION	MODEL USED ON	CURRENT REPLACEMENT PART NO.
6	53040	MECHANISM ASSEMBLY	LA-116, LA-117	63560-000
7	67274	RUBBER BUMPER	LA-116, LA-117	67274-000
8	63561	BASE	LA-116, LA-117	63561-000
9	69550	PLUNGER SET	LA-116, LA-117	69550-000
10	69683	GROMMET SET - 6	LA-116, LA-117	69683-000
11	63562	POWER UNIT WITH PLUNGERS	LA-116, LA-117	1133A-000
12	69669	REED SET WITH GROMMETS	LA-116, LA-117	69669-000
-	65364	ENVELOPE ASSEMBLY MOUNTING SCREWS - 2 #8 x 1¼ Pan Head	LA-116, LA-117	65364-000

↑

NOTE: Always order by current part number