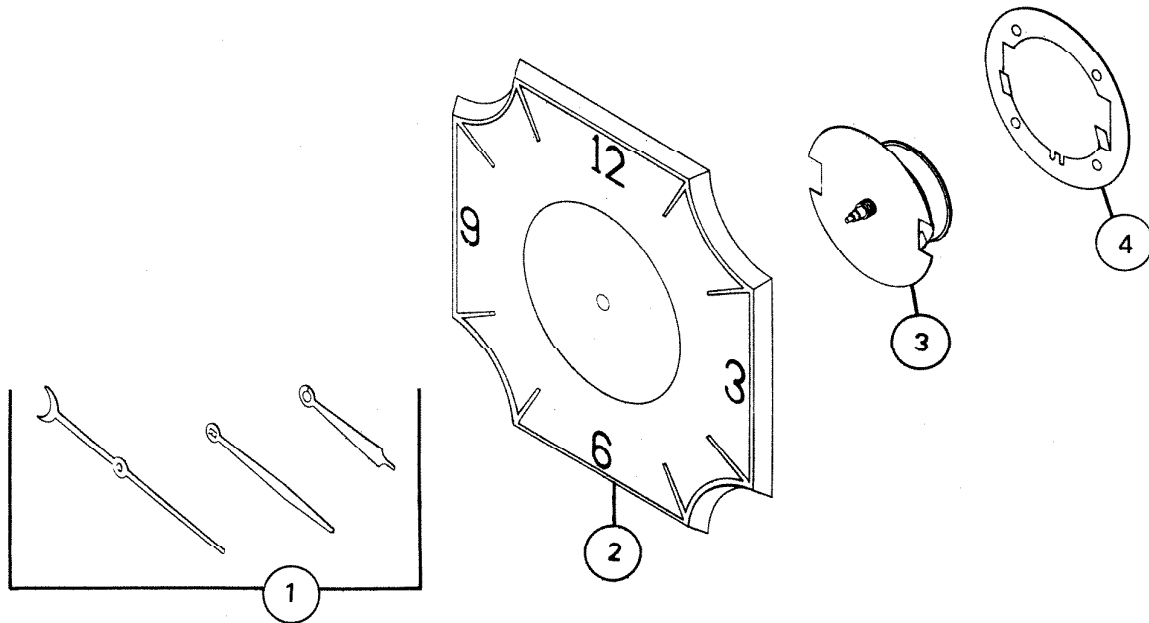


# PARTS LIST

EFFECTIVE DATE	MODEL	PRODUCT GROUP
AUGUST 1980	L-91 REVISED	CLOCK



REF.	ORIGINAL PART NO.	* PART DESCRIPTION	MODEL USED ON	CURRENT REPLACEMENT PART NO.
1	69600	HAND SET	L-91	VOID – NOT AVAILABLE
2	9086	CLOCK FACE ASSEMBLY	L-91	VOID – NOT AVAILABLE
3	9067	CLOCK MOVEMENT	L-91	VOID – NOT AVAILABLE
4	9072	MOUNTING PLATE	L-91	VOID – NOT AVAILABLE
<p>PLEASE NOTE: WE HAVE REVISED THIS PARTS SHEET TO ADVISE YOU THAT PARTS ARE NO LONGER AVAILABLE FOR THIS OBSOLETE MODEL.</p>				

NuTone

↑  
NOTE: Always order by current part number.