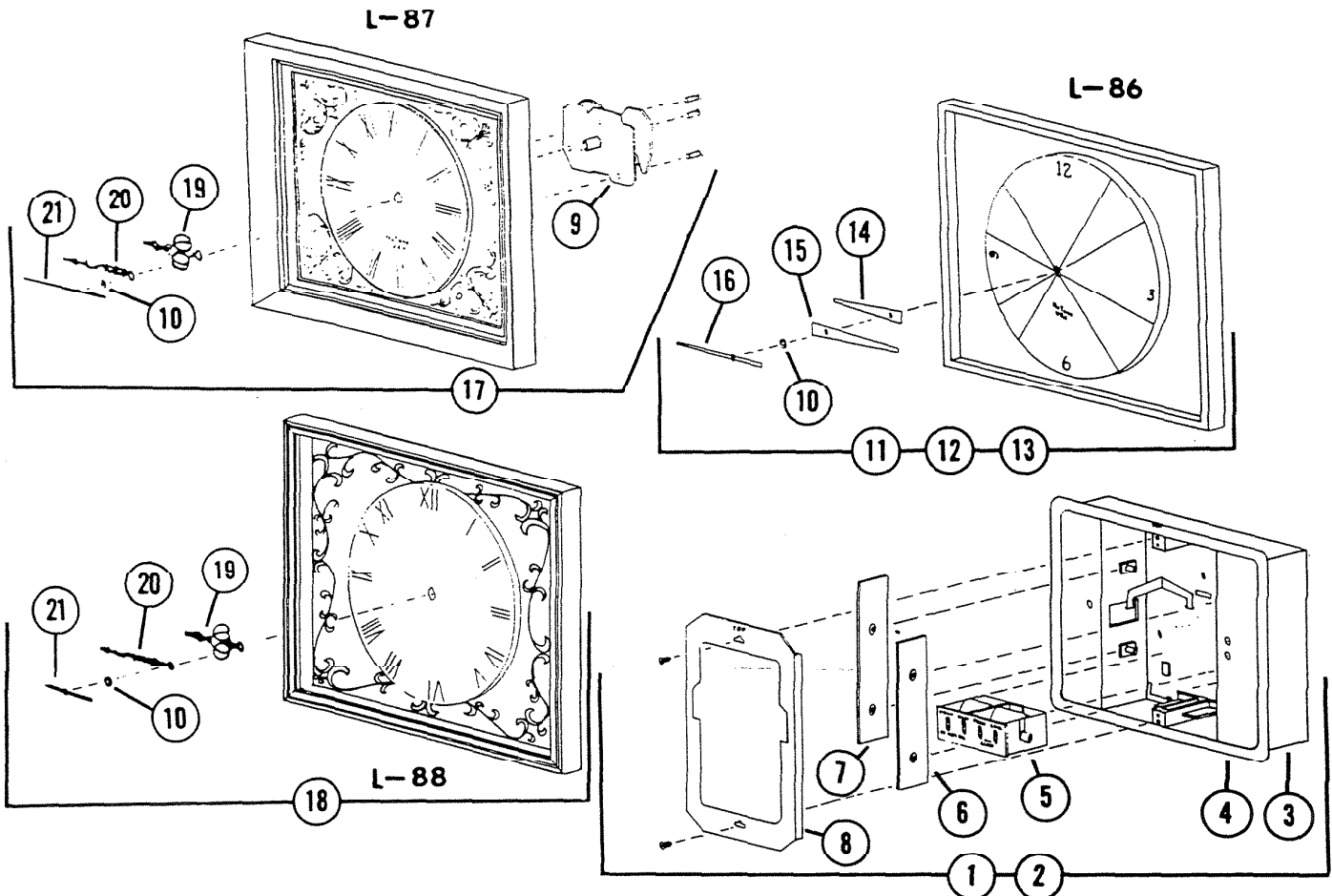


EFFECTIVE DATE

July 15, 1970

NuTone

PARTS LIST

MODEL
 L-86, L-87, L-88
 CHIMES


REF.	PART NO.	PART DESCRIPTION
<u>COMMON PARTS</u>		
1	9803	Mechanism Assembly L-87 and L-88 only.
2	9870	Mechanism Assembly L-86 only.
3	9482	Baseplate Assembly Brown L-87 and L-88 only.
4	9871	Baseplate Assembly Black L-86 only.
5	9804	Duplex Power Unit.
6	0804	R. H. Reed & Grommet Assembly.
7	3389	L. H. Reed & Grommet Assembly.
8	8858	Cover Mounting Plate.
-	7072	Grommet Set (4) - Not Shown.
-	9832	"A" Frame (Model L-85A) Use all models - Not Shown.
-	9499	Envelope Assembly - Not Shown.
9	9818	Clock Movement Assembly.

(PLEASE SEE OTHER SIDE)

Order Parts From: PARTS DEPT. C/O

PRICES SUBJECT TO CHANGE WITHOUT NOTICE

NuTone

REF.	PART NO.	PART DESCRIPTION
10	9831	Hand Lock Nut.
<u>MODEL L-86</u>		
11	9815	Clock Assembly - Gold. (INCLUDES REF. NO. 9)
12	9816	Clock Assembly - Copper. (INCLUDES REF. NO. 9)
13	9817	Clock Assembly - Silver. (INCLUDES REF. NO. 9)
14	9820	Hour Hand.
15	9821	Minute Hand.
16	9822	Second Hand.
<u>MODEL L-87 & L-88</u>		
17	9856	Clock Assembly L-87. (INCLUDES REF. NO. 9)
18	9837	Clock Assembly L-88. (INCLUDES REF. NO. 9)
19	9841	Hour Hand
20	9842	Minute Hand.
21	9843	Second Hand.