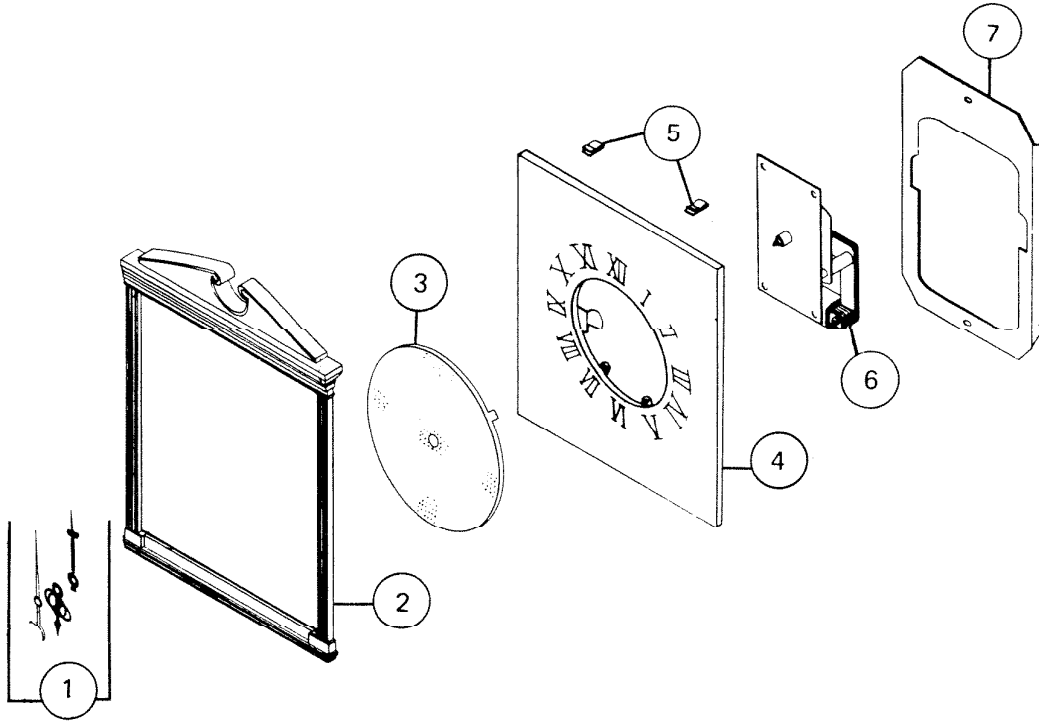


PARTS LIST

EFFECTIVE DATE	MODEL	PRODUCT GROUP
AUGUST 1980	L-84B REVISED	CLOCK



REF.	ORIGINAL PART NO.	* PART DESCRIPTION	MODEL USED ON	CURRENT REPLACEMENT PART NO.
1	69598	HAND SET	L-84B	VOID – NOT AVAILABLE
2	8886	COVER FRAME	L-84B	VOID – NOT AVAILABLE
3	8853	CLOCK GRILLE	L-84B	VOID – NOT AVAILABLE
	0644			
4	8887	CLOCK FACE	L-84B	VOID – NOT AVAILABLE
5	8843	"U" CLIP	L-84B	VOID – NOT AVAILABLE
6	6901	CLOCK MOVEMENT – ROTOR ONLY	L-84B	VOID – NOT AVAILABLE
	6905			
7	8858	COVER MOUNTING PLATE	L-84B	VOID – NOT AVAILABLE

NuTone

↑
NOTE: Always order by
current part number.