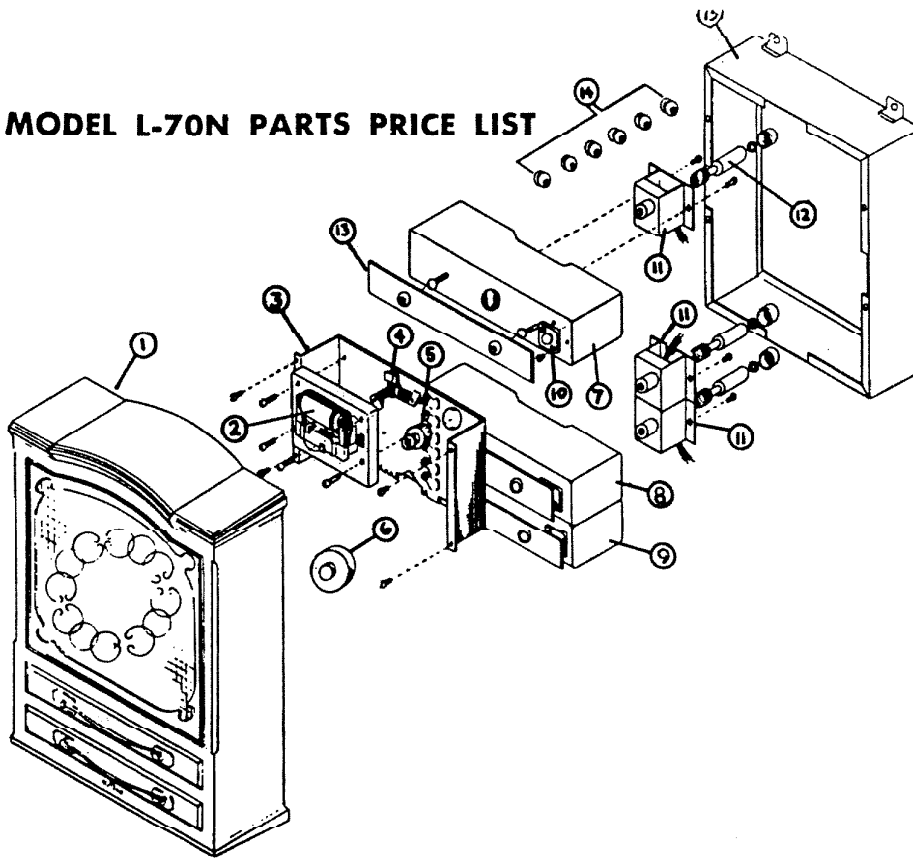


# L-70N

## MODEL L-70N PARTS PRICE LIST



### 4-8 NOTE SELECTOR

4-8 note selector is located at right side of motor on chime base. Move selector button to desired sequence. (Fig. 3)

**CAUTION:** Summer heat in attics may approach 200° F. This high temperature will cause the transformer circuit breaker to open—even though it is set at maximum tension according to U. L. Requirements.

Recommend installation in utility room, basement or garage area.

### HELPFUL HINTS

1. Do not oil plunger assembly.
2. Check transformer for proper voltage and power rating — Recommend NuTone Model 105-N 16 Volt — 15VA.
3. For sluggish plunger operation, clean plungers and sleeves of power unit with lighter fluid and wipe dry.
4. If cleaning does not help — replace plunger assembly.
5. If the chime should ever give a metallic — non-resonant sound . . . check tone bar grommets for wear and replace if necessary.
6. If power unit hums constantly, check for sticking door push button or shorted wiring.
7. Check chime volume control for proper level over radio-intercom system.

**NOTE:** Intercom system must be on in order for chime to be heard over intercom.

MODEL L-70N PARTS LIST		
Effective Date: April 1, 1965		
REF. NO.	PART NO.	DESCRIPTION
1	7375	Cover — Walnut
	7376	Cover — Blond Elm
2	8796	Motor Assembly
*	8788	Mech. Assy. Complete — less Cover
3	69604	Sub Mech. Assy.
4	8721	Rotor Arm Assy.
5	7855	Vol. Control
6	69591	Motor Rotor
*	8792	Circuit and Term. Bd. W/Vol. Control
7	7751	Resonator and Pick-Up Coil Assy. "A"
8	7752	Resonator and Pick-Up Coil Assy. "E"
9	7753	Resonator and Pick-Up Coil Assy. "F"
10	7761	Pick-Up Coil Assy.
11	8137	Power Unit W/Plungers
12	69577	Plunger Set (3) (Plunger, Spring, Bumper and Cap)
13	6548	Reed Set (3)
14	7072	Grommet Set (6)
15	6585	Housing Assy.
*	2747	Envelope Assy. (Mtg. Screws)
*	90962	Model 105N Transformer

\* Items Not Shown

**NuTone**

Madison & Red Bank Roads - Cincinnati, Ohio 45227 - U.S.A.

Printed in U. S. A.