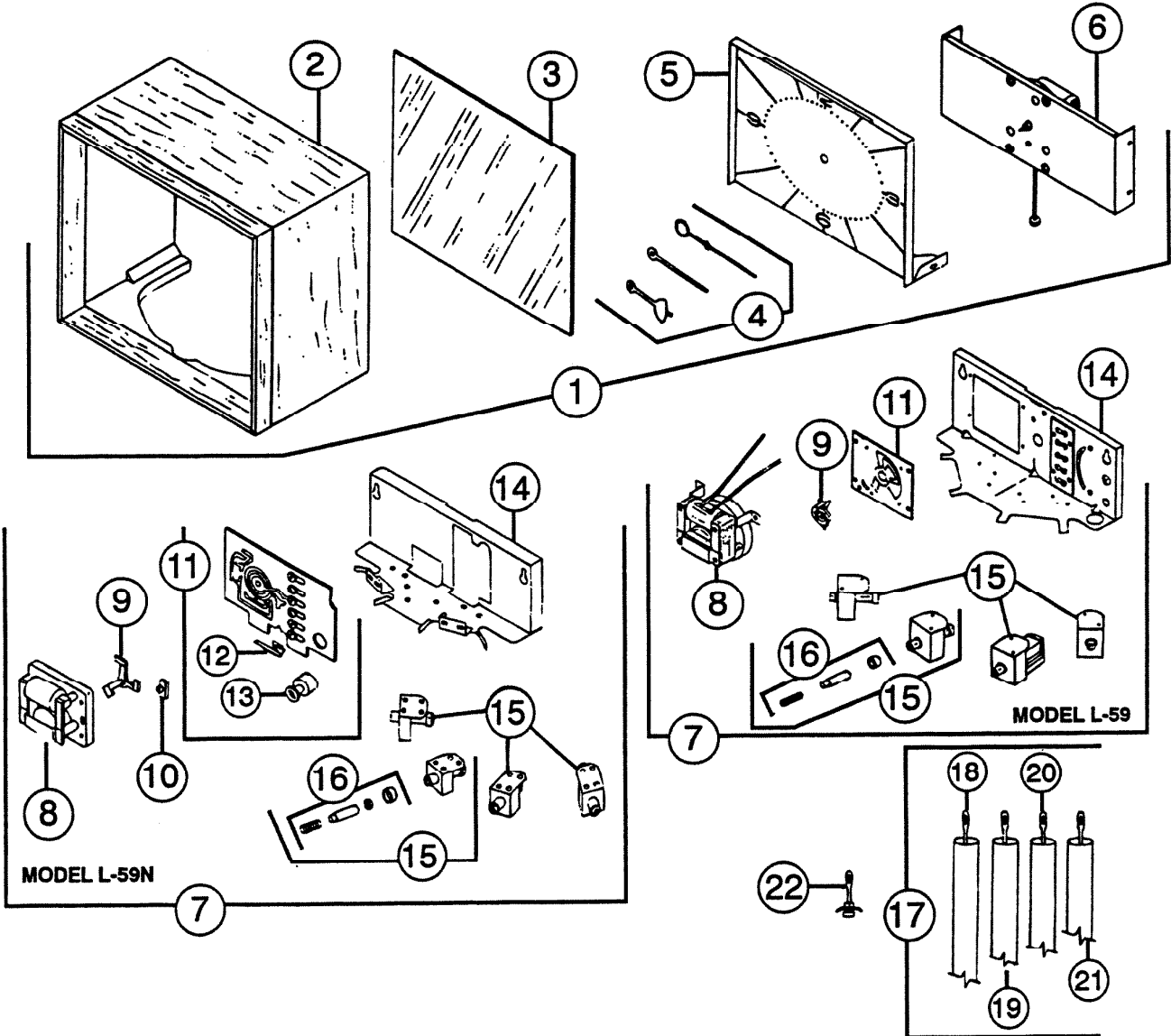


PARTS LIST

| EFFECTIVE DATE | MODEL NUMBER | PRODUCT GROUP |
|----------------|------------------------|---------------|
| OCTOBER 1994 | L-59, L-59N REVISED | CHIME |



| REF. | ORIGINAL PART NO. | *PART DESCRIPTION | MODEL USED ON | CURRENT REPLACEMENT PART NO. |
|------|-------------------|--------------------|---------------|------------------------------|
| 1 | 07887 | CABINET - Complete | L-59, L-59N | Void - not avail. |
| 2 | 08681 | CABINET ASSEMBLY | L-59, L-59N | Void - not avail. |

(PLEASE SEE OTHER SIDE)

NuTone

NuTone
 Attn: Parts Department
 Madison & Red Bank Rds.
 Cincinnati, OH 45227-1599
 Phone: (513) 527-5426
 Fax: (513) 527-5173

↑

NOTE: Always order by current part number.

| REF. | ORIGINAL PART NO. | *PART DESCRIPTION | MODEL USED ON | CURRENT REPLACEMENT PART NO. | |
|------|-------------------|---|---------------|------------------------------|-------------------|
| 3 | 08683 | CLOCK GLASS - 8 ⁵ / ₁₆ " x 7 ¹ / ₁₆ " | L-59, L-59N | Purchase Locally | |
| 4 | 69588 | HAND SET | L-59, L-59N | Void - not avail. | |
| 5 | 08688 | CLOCK FACE | L-59, L-59N | Void - not avail. | |
| 6 | 08686 | CLOCK MECHANISM ASSEMBLY | L-59, L-59N | Void - not avail. | |
| 7 | 04901 | MECHANISM ASSEMBLY | L-59 | Void - not avail. | |
| | 08773 | | L-59N | 1236A-000 Will Sub. | |
| 8 | 69582 | MOTOR ASSEMBLY | L-59, L-59N | Void - not avail. | |
| 9 | 04425 | ROTOR ASSEMBLY | L-59 | Void - not avail. | |
| | 08721 | | L-59N | | |
| 10 | 08724 | SLIDE SWITCH | L-59N | 69543-000 | |
| 11 | 01144 | P.C. BOARD ASSEMBLY | L-59 | Void - not avail. | |
| | 08776 | | L-59N | | |
| 12 | 08724 | SLIDE SWITCH | L-59N | 69543-000 | |
| 13 | 08777 | VOLUME CONTROL | L-59N | 64185-000 | |
| 14 | 04586 | CHASSIS | L-59 | Void - not avail. | |
| | 08774 | | L-59N | | |
| 15 | 08747 | POWER UNIT ASSEMBLY | L-59 | 08135-000 | |
| | 08136 | | L-59N | | |
| 16 | 69581 | PLUNGER SET - 4 | L-59, L-59N | 69581-000 | |
| 17 | 03575 | TUBE SET - 4 | STRING HUNG | L-59 | Void - not avail. |
| | 03499 | | | L-59N | H9855-000 |
| 18 | 04629 | TUBE NO. 1 ASSEMBLY | STRING HUNG | L-59 | Void - not avail. |
| | | | | L-59N | Void - not avail. |
| 19 | 04632 | TUBE NO. 2 ASSEMBLY | STRING HUNG | L-59 | Void - not avail. |
| | | | | L-59N | H9858-000 |
| 20 | 04634 | TUBE NO. 3 ASSEMBLY | STRING HUNG | L-59 | Void - not avail. |
| | | | | L-59N | H9859-000 |
| 21 | 04636 | TUBE NO.4 ASSEMBLY | STRING HUNG | L-59 | Void - not avail. |
| | | | | L-59N | H9860-000 |
| 22 | 05749 | PLASTIC TUBE HANGER SET - 4 | L-59N | 69533-000 | |

↑

NOTE: Always order by current part number