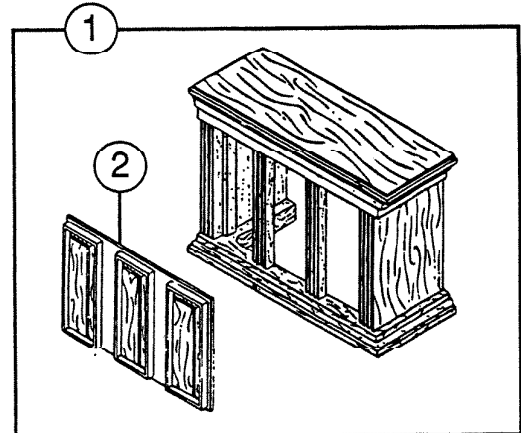
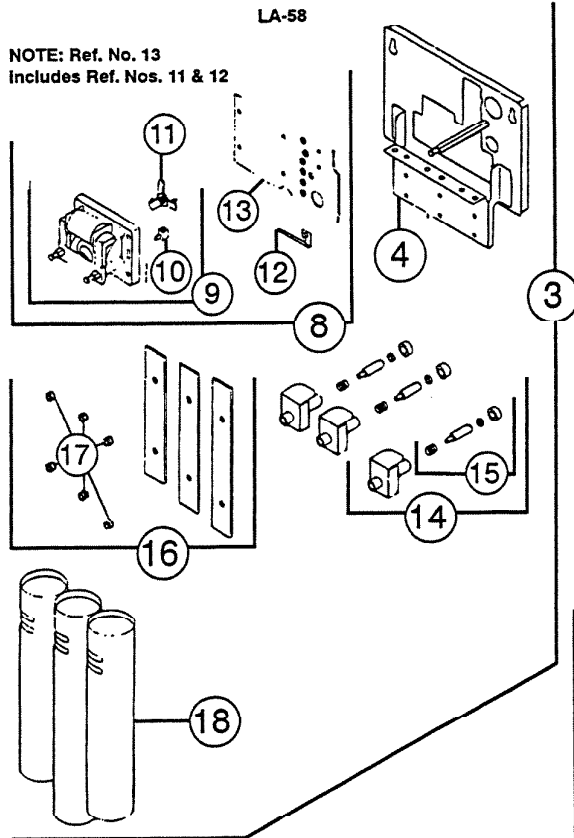


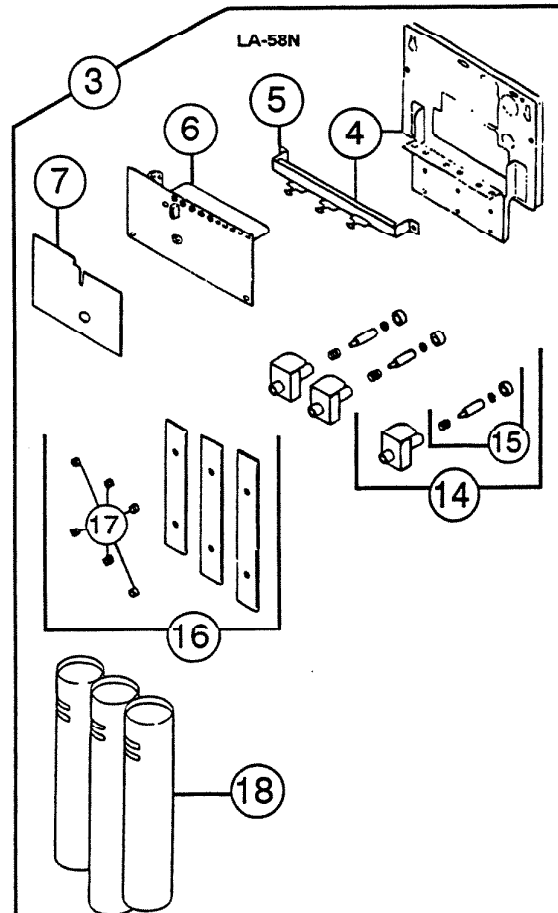
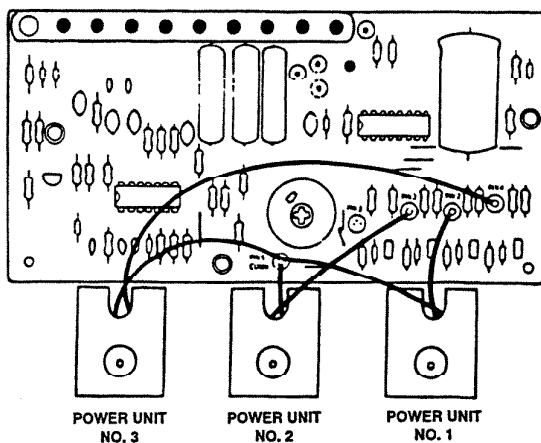
# PARTS LIST

EFFECTIVE DATE	MODEL NUMBER	PRODUCT GROUP
OCTOBER 1994	LA-58, LA-58N BL, DO, LO REVISED	CHIME



LA-58, LA-58N chimes use transformer  
Model 105-T (16 Volt, 15 Watt)

WIRING DIA. FOR TERMINAL BOARD ASSEMBLY P/N 1939A-000  
LA-58N  
Rear View



# NuTone

NuTone  
Attn: Parts Department  
Madison & Red Bank Rds.  
Cincinnati, OH 45227-1599  
Phone: (513) 527-5426  
Fax: (513) 527-5173

REF.	ORIGINAL PART NO.	*PART DESCRIPTION	MODEL USED ON	CURRENT REPLACEMENT PART NO.
1	30865	CABINET ASSY- Complete	LA-58, LA-58N	30864-000
	34264			30726-000
	34265			30727-000
2	1947A	FRONT PANEL w/ Plaques	LA-58, LA-58N	1947A-000
	1984A			1948A-000
	1949A			1949A-000
3	53136	MECHANISM ASSEMBLY	LA-58	30709-000
	30709		LA-58N	
4	64166	BASEPLATE ASSEMBLY	LA-58	Void - not avail.
	30710		LA-58N	30710-005
5	07033	BRACKET	LA-58N	07033-000
6	30714	TERMINAL BOARD ASSY w/Wiring Dia.	LA-58N	1939A-REB
7	37989	INFORMATION CARD	LA-58N	1957A-000
8	69684	P.C. BOARD & MOTOR ASSEMBLY	LA-58N	Void - not avail. 30709-000 will sub.
9	53441	MOTOR MECHANISM ASSEMBLY	LA-58N	Void - not avail. 30709-000 will sub.
10	69543	SLIDE SWITCH ASSEMBLY	LA-58	69543-000
11	64173	ROTOR ASSEMBLY	LA-58	Void - not avail.
12	65697	STARTING CONTACT	LA-58	65697-051
13	49707	P.C. BOARD ASSEMBLY w/starting Contact and Rotor Assy	LA-58	Void - not avail. 30709 Will Sub.
14	08136	POWER UNIT ASSEMBLY (1) – 3 Required	LA-58, LA-58N	08135-000
15	69677	PLUNGER SET – 4	LA-58, LA-58N	69581-000
16	07158	REED SET	LA-58, LA-58N	07158-000
17	69697	GROMMET SET – 6	LA-58, LA-58N	69691-000
18	69578	RESONATOR TURE ASSFMBLY – Gold	LA-58, LA-58N	69578-000
--	65364	ENVELOPE ASSEMBLY (Mtg. Screws)	LA-58, LA-58N	65364-000

↑

**NOTE: Always order by current part number**