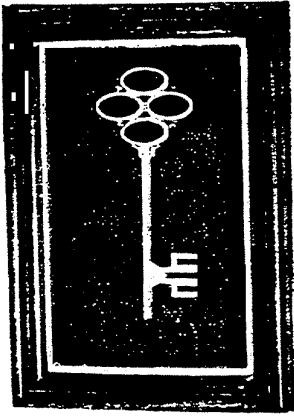


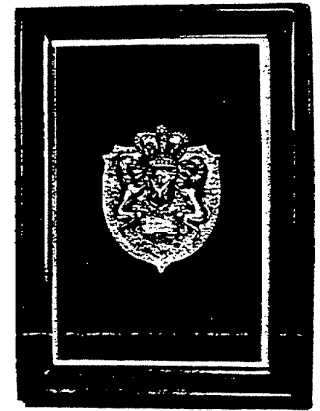
DO NOT DISCARD - HOME OWNERS GUARANTEE

**NuTone
L-53 and L-54
SURFACE MOUNTED
DOOR CHIMES**

Installation Instructions



"Key Note"



"Regency"

WIRING

Mount transformer to any junction or panel box (Attic location not recommended). Wire transformer into house line, White to White, Black to Black. (Fig. 1)

CAUTION: Be sure house power is turned off when making this connection.

Label and run wires from 16 volt output transformer and push-buttons to chime location. (See installation wiring diagram on back page for proper connections.)

"18 gauge insulated 2-conductor wire recommended."

All common wires should be located in chime baseplate and secured with wire nut. (Fig. 2)

Note: All wiring must comply with the local wiring code of the area.

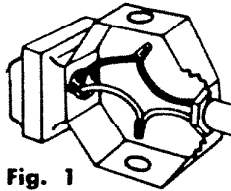


Fig. 1

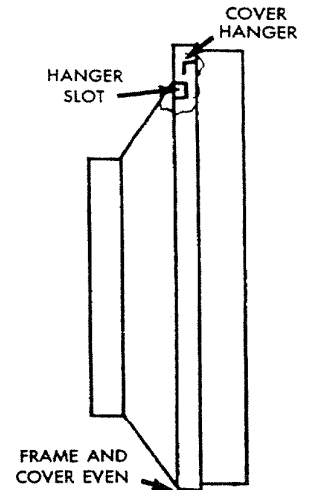


Fig. 3

BASEPLATE MOUNTING

Pull previously run wires, from transformer and pushbuttons, through holes in baseplate and secure baseplate to wall with screws provided, at points shown.

CAUTION: Be sure to mount baseplate — mechanism assembly, with hanger slot of plastic frame on top side.

Make terminal board connections and join all common wires with wire nut. (Fig. 2)

Note: Be sure wires do not touch tone bars on plungers of chime.

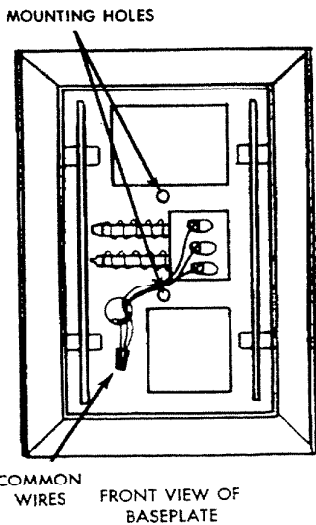


Fig. 2

COVER MOUNTING

Position cover over baseplate assembly, with bottom of cover even with bottom of decorative frame of baseplate. (Fig. 3)

Be sure cover is pushed back against sides of decorative frame, and slide cover down, to hook extruded hanger of cover into hanger slot of plastic frame. (Fig. 4)

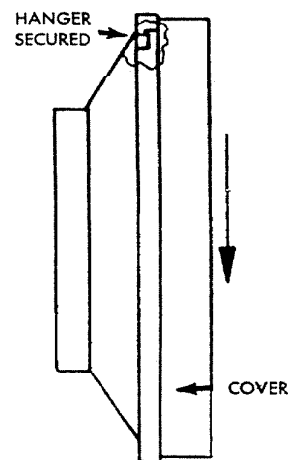


Fig. 4

NuTone

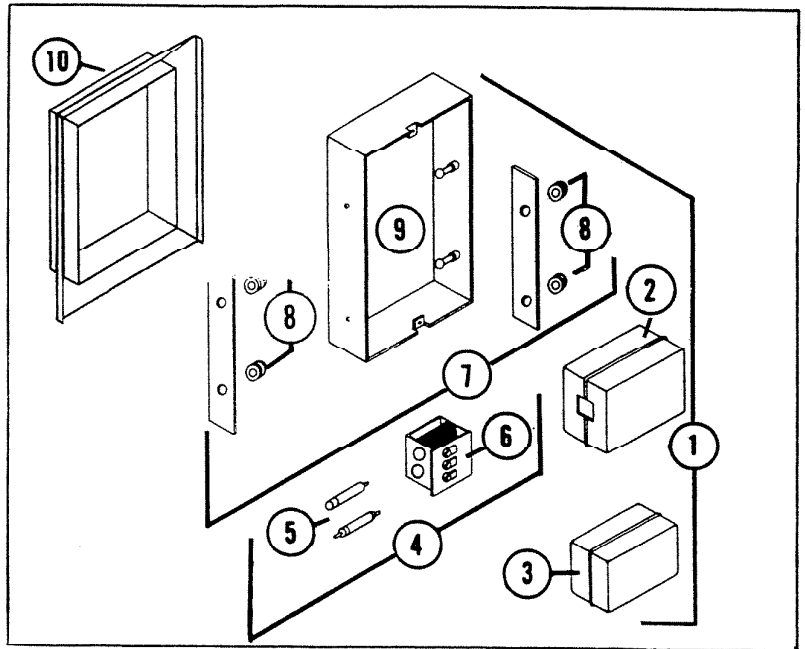
L-53, L-54 PARTS LIST

REF. NO.	PART NUMBER	DESCRIPTION
1	6738	Mechanism assembly Ref. No: 2, 3, 4, 5, 6, 7, 8, 9
2	6731	Top Resonator
3	5936	Bottom Resonator
4	69657	Coil & Housing assembly w/Plungers (Power unit compl.)
5	69550	Plunger Set
6	5917	Coil & Housing Assembly (Power Unit)
7	69551	Reed Set W/Grommets
8	69552	Grommet Set (4)
9	5939	Baseplate & Reed Stud Assembly
10	9627	Wall Housing mechanism
*	9600	Cover Frame assembly Model L-53 (Keynote)(See Picture on front)
*	9601	Cover Frame assembly Model L-54 (Regency)(See Picture on front)
*	2747	Envelope assembly, not shown (Mech. Mtg. Screws)

* Items Not Shown

NOTE:

If parts are not available from your local supplier, write **NuTone, Parts and Repair Dept., Box 27, Madison and Red Bank Rds., Cincinnati, Ohio 45227.**



AIDS TO INSTALLATION

- 1) Select chime location that is centrally located, so chime will be heard throughout the house.
- 2) If the home is large multi-level, or one floor plan type, two or more chimes may be needed . . . to provide adequate sound coverage. (See wiring diagram.)
- 3) When fastening chime wiring to wall studs, and ceiling joists, watch for "Shorts" that might be created . . . by allowing staples or clips to cut through the protective wiring insulation.
- 4) Install unit in accord with all factory instructions.
- 5) When making wiring connections at chime, transformer, and push-button location, avoid potential "Shorts" . . . that could occur — if two different wiring terminals should make contact.
- 6) If chime plungers should ever get "Sluggish" in their movement . . . use carbon tetrachloride to clean plungers. (Caution: Never oil chime plungers.)
- 7) For single chime installation — use NuTone model #101-N transformer (16 volts — 10 watts). Model #301-N transformer (16 volts — 30 watts) recommended for Multiple Chime installation.
- 8) Do not allow connecting wires — at chime location, to touch reed bars — or plungers.

NUTONE 101-N 16 VOLT 10 WATT TRANSFORMER REQUIRED FOR SINGLE CHIME INSTALLATION.

NUTONE 301-N TRANSFORMER REQUIRED TO OPERATE 2 OR 3 2-NOTE CHIMES. WIRED AS SHOWN DOTTED

