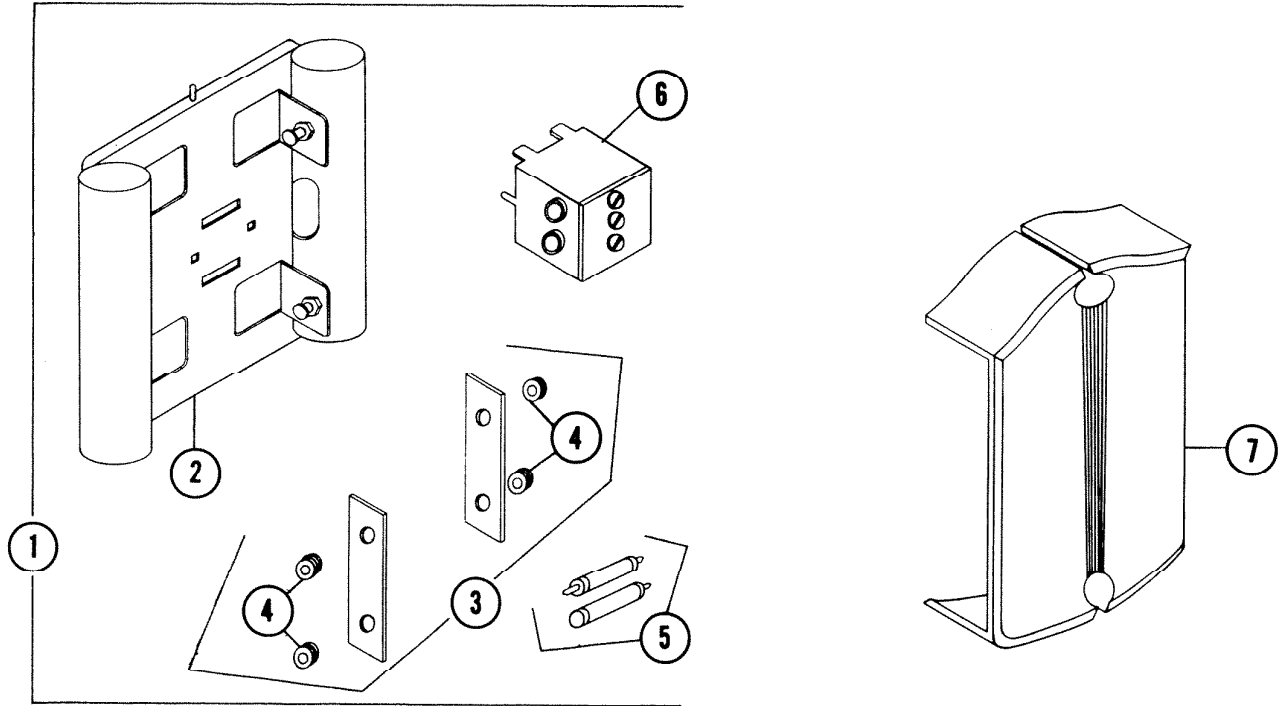


PARTS LIST

EFFECTIVE DATE	MODEL	PRODUCT GROUP
SEPT. 1977	L-22 REVISED	CHIME



REF.	ORIGINAL PART NO.	* PART DESCRIPTION	MODEL USED ON	CURRENT REPLACEMENT PART NO.
1	02191	MECHANISM ASSY.	L-22	02191-000
2	69566	BASEPLATE W/RESONATORS	L-22	No Replacement
3	69560	REED SET W/GROMMETS	L-22	07158-000
4	69552	GROMMET SET	L-22	69697-000
5	69550	PLUNGER SET	L-22	69550-000
6	05186	POWER UNIT ONLY	L-22	05186-000
7	00828	COVER	WALNUT	63611-000
	00829		WHITE	66193-000

NuTone

ORDER PARTS FROM:
 Parts Department c/o NuTone
 P.O. Box 27, Cincinnati, Ohio 45227

↑
 NOTE: Always order by
 current part number.