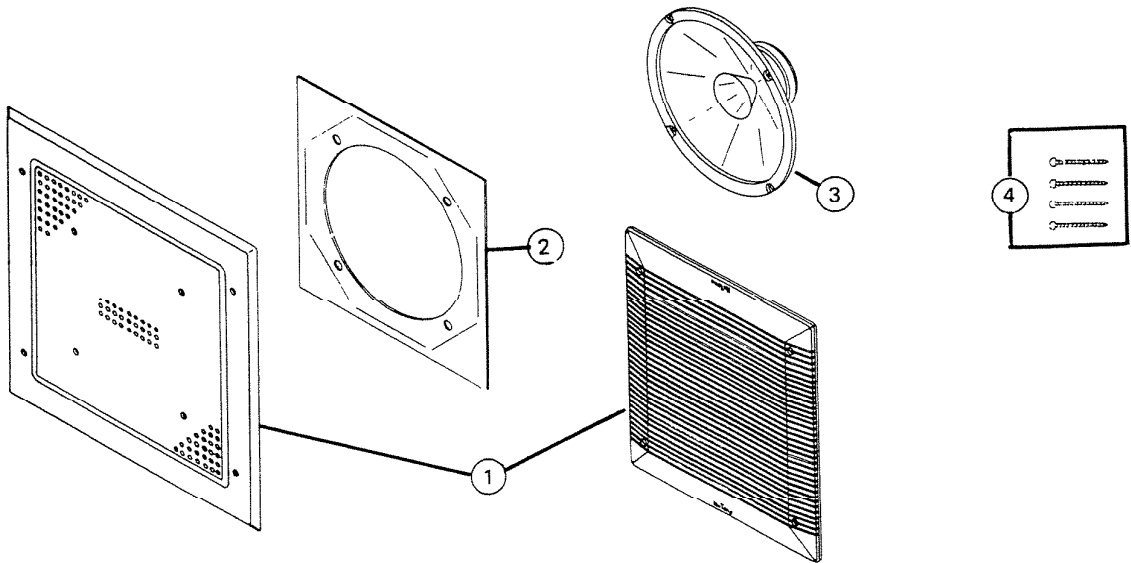


# PARTS LIST

EFFECTIVE DATE	MODEL	PRODUCT GROUP
SEPT. 1989	IS-78 -REVISED ISA-78 - REVISED ISA-78WH - NEW	ELECTRONICS



REF.	ORIGINAL PART NO.	* PART DESCRIPTION	MODEL USED ON	CURRENT REPLACEMENT PART NO.
1	32180	FRONT PANEL	IS-78	<b>32180-018</b>
	32273		ISA-78	<b>32273-000</b>
	43482		ISA-78WH	<b>43482-000</b>
2	32181	BACK PANEL	IS-78	<b>32181-000</b>
3	36089	SPEAKER - 25 OHM 8"	ALL	<b>36089-000</b>
4	40349	ENVELOPE ASSY. - (4) SCREWS 2" LONG	MODELS	<b>40349-000</b>

↑  
NOTE: Always order by current part number.